

*Bardan*

HIGH SPEED AUTOMATIC EMBROIDERY MACHINE

**BEDYHE-Z12/ZQ-C**

**PARTS LIST**

From the library of: Diamond Needle Corp

ZQ6 TYPE HEAD

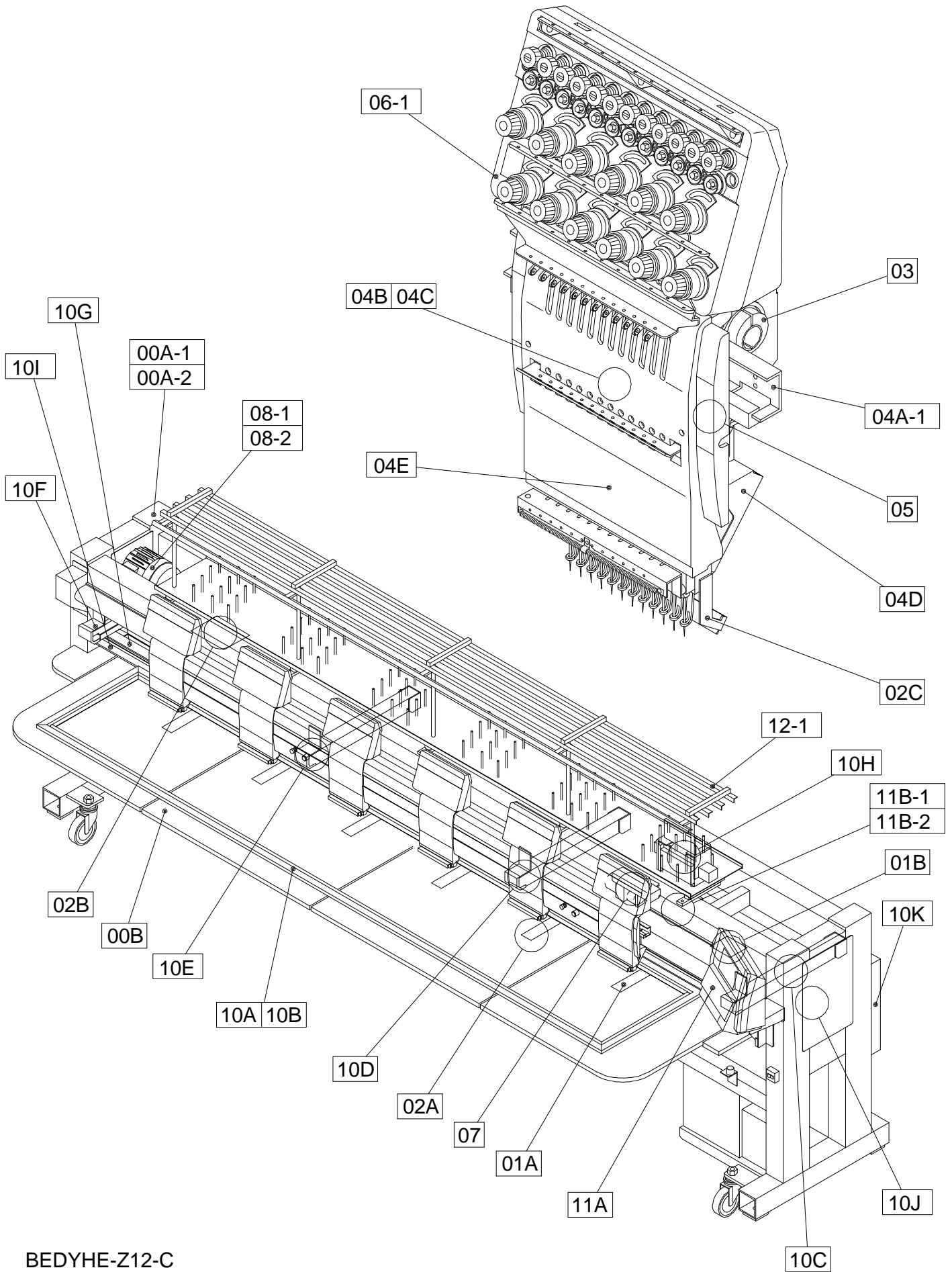
# BEDYHE-Z12/ZQ-C

## HIGH SPEED AUTOMATIC EMBROIDERY MACHINE

### CONTENTS

Machine layout (BEDYHE-ZQ-C)	07	Color change
00A-1 Table-Frame A (2T/4T)	08-1	Drive (2T/4T)
00A-2 Table Frame A (6T)	08-2	Drive (6T)
00B Table Frame B	10A	Pantograph drive A
01A Head Bed A	10B	Pantograph drive B
01B Head Bed B	10C	Pantograph drive C
02A Thread Cut A	10D	Pantograph drive D
02B Thread Cut B	10E	Pantograph drive E
02C Thread Cut C	10F	Pantograph drive F
03 Take up lever	10G	Pantograph drive G
04A-1 Needle bar A(Z12)	10H	Pantograph drive H
04A-2 Needle bar A(ZQ)	10I	Pantograph drive I
04B Needle bar B	10J	Pantograph drive J
04C Needle bar C	10K	Pantograph drive K
04D Needle bar D	11A	Control A
04E Needle bar ED	11B-1	Control A (2T/4T)
05 Jump	11B-2	Control B (6T)
06-1 Thread Guide (Z12)	12-1	Accessories(Z12)
06-2 Thread guide(ZQ)	12-2	Accessories(ZQ)

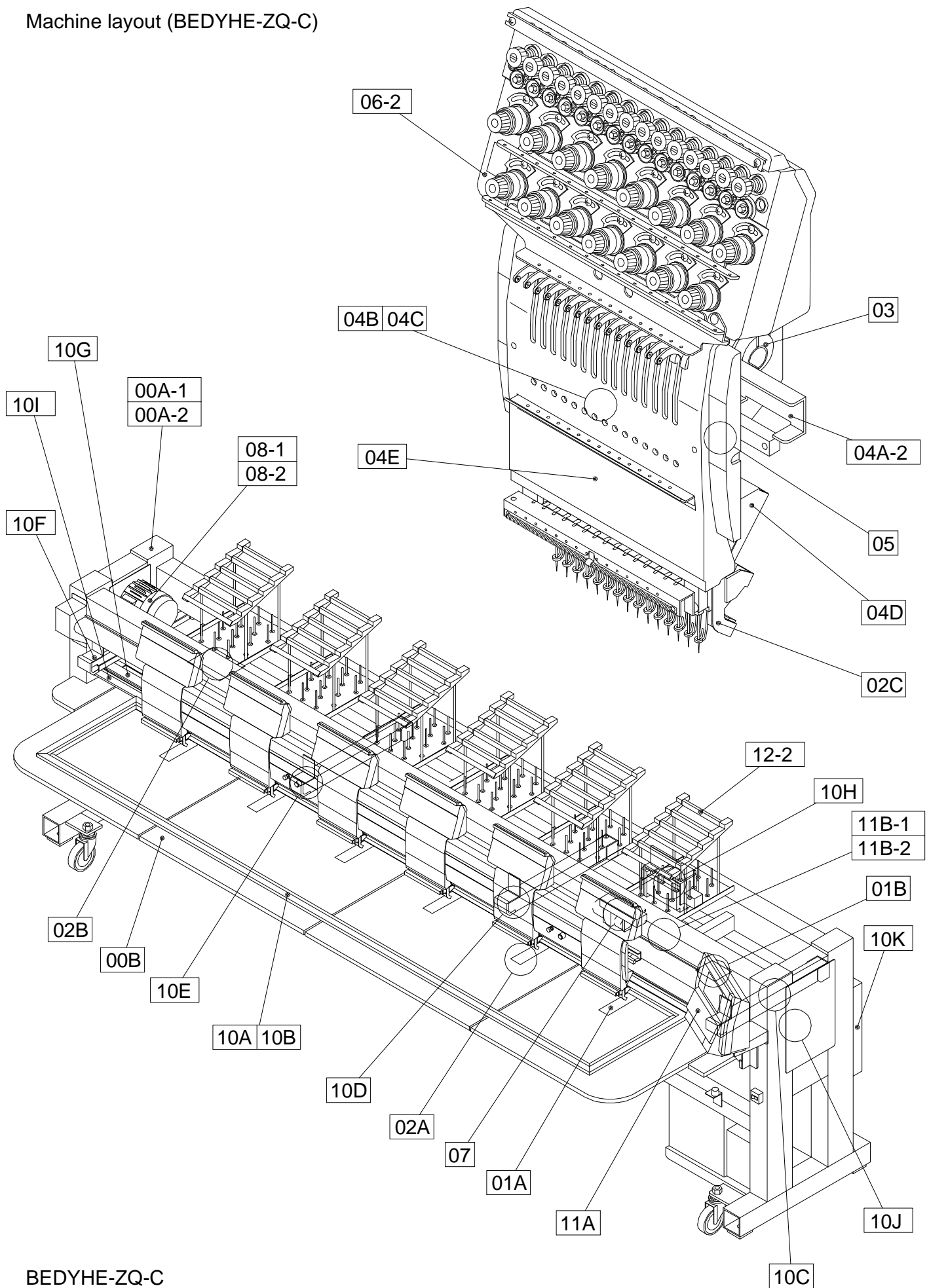
# Machine layout (BEDYHE-Z12-C)



From the library of: Diamond Needle Corp

BEDYHE-Z12-C

Machine layout (BEDYHE-ZQ-C)

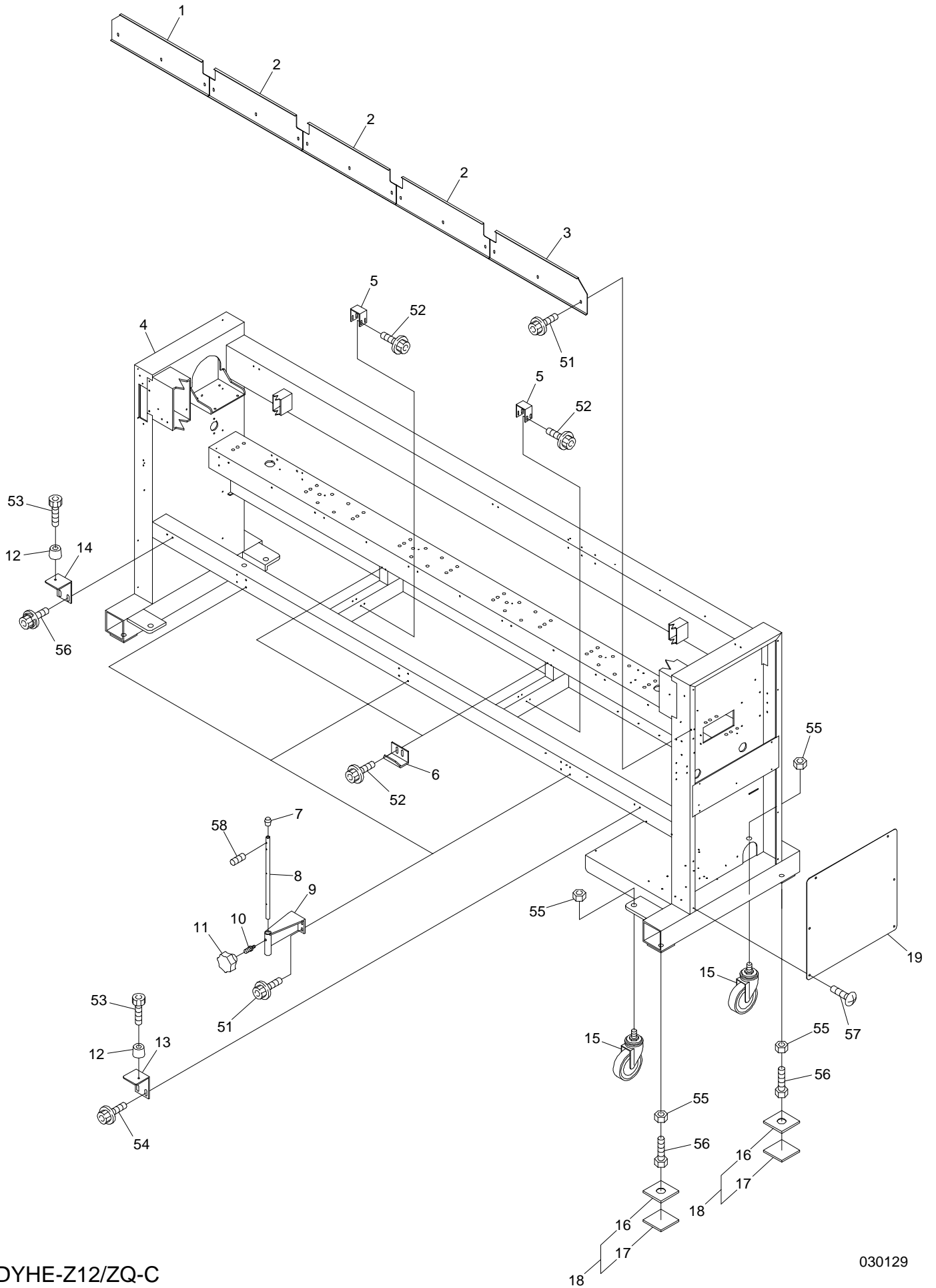


From the library of: Diamond Needle Corp

BEDYHE-ZQ-C



00A-1 Table\Frame A(2T/4T)

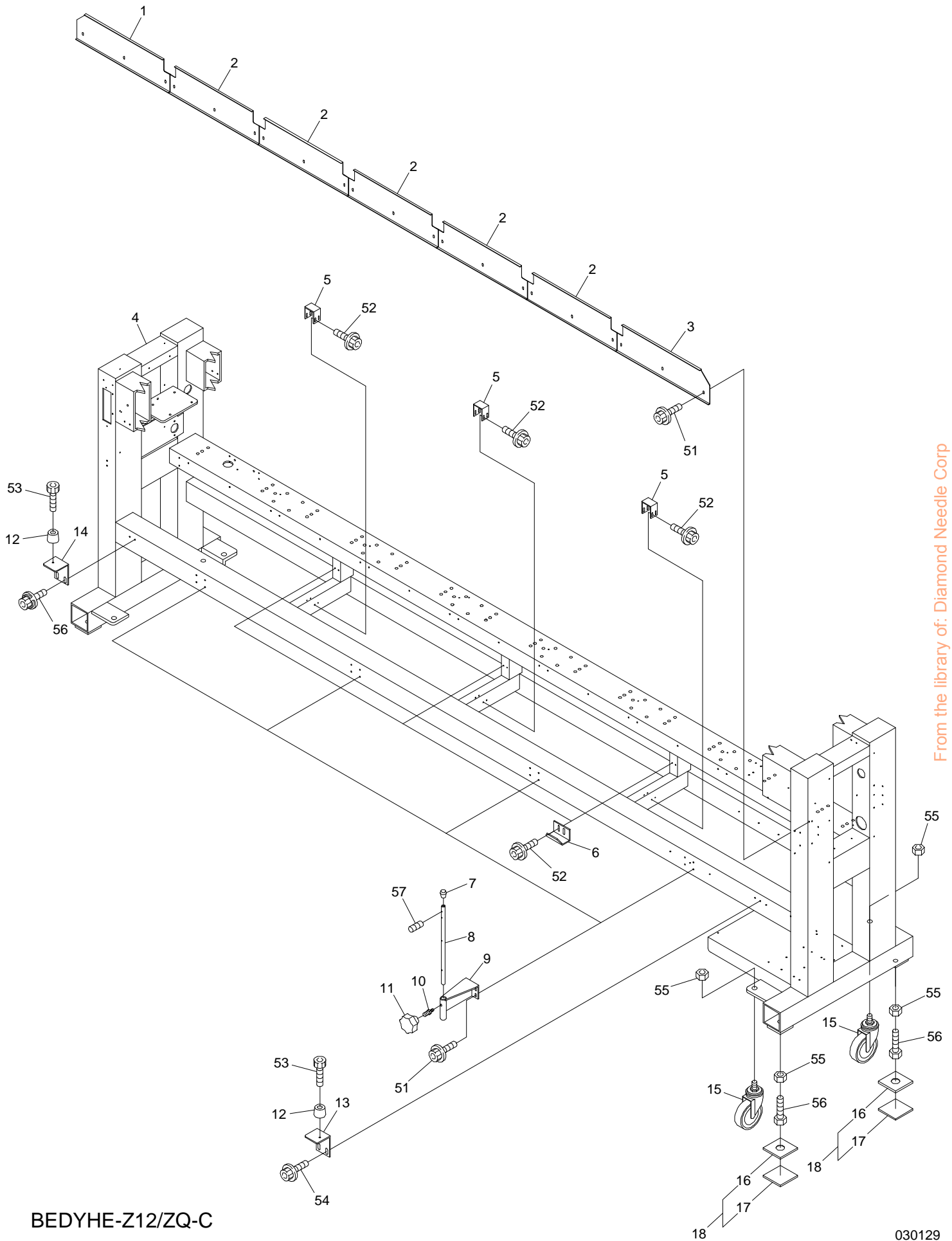


From the library of: Diamond Needle Corp

00A-1 TABLE - FRAME A

ITEM	LIST NO.	DESCRIPTION	Q'TY	NOTE
1	SJ140050	Oil store(L) DYHE P=520	1	
2	SJ140060	Oil store(Center) DYHE P=520	1	2T
			3	4T
3	SJ140040	Oil store(R) DYHE P=520	1	
4		Frame a'ssy BEDYHE-Z12-C02 450x520/520	1	2T
	SJ160460	Frame a'ssy BEDYHE-ZQ6-C02 450x520/520	1	2T
		Frame a'ssy BEDYHE-Z12-C04 450x520/520	1	4T
	SJ160530	Frame a'ssy BEDYHE-ZQ6-C04 450x520/520	1	4T
5	SC140130	Table bracket	1	2T
			2	4T
6	SC140120	Table stopper	1	2T
			2	4T
7	A9014161	Rubber foot for pipes(C-31-5)	2	2T
			3	4T
8	SC140120	Table stand(DYHE)	2	2T
			3	4T
9	SC140130	Table stand bracket	2	2T
			3	4T
10	SC140180	Knob bolt	2	2T
			3	4T
11	A9014162	Seven lobe knob(KSF-40-M8)	2	2T
			3	4T
12	A9014163	Color rubber foot(C-30-FRB-3225)	2	
13	SC140160	Support table catch stay(R)	1	
14	SC140170	Support table catch stay(L)	1	
15	A9019049	Caster(SSC-125NU)	4	
16	SC160010	Mount base(Compact machine)	4	
17	SC160020	Vibroisolating pad(Compact machine)	4	
18	SC160030	Mount base a'ssy(Compact machine)	4	
19	SJ160040	Frame under cover(DYHE)	2	
51		Hex.socket flange bolt M6x12(Uni chrome)		
52		Hex.socket flange bolt M5x10(Uni chrome)		
53		Hex.socket bolt M5x15(With adhesive) Black(Screw lock red)		
54		Hex.socket flange bolt M5x12		
55		Hex.nut M20		
56		Hex.bolt M20x75		
57		Truss screw M5x10		
58		Hex.socket set screw M5x20		

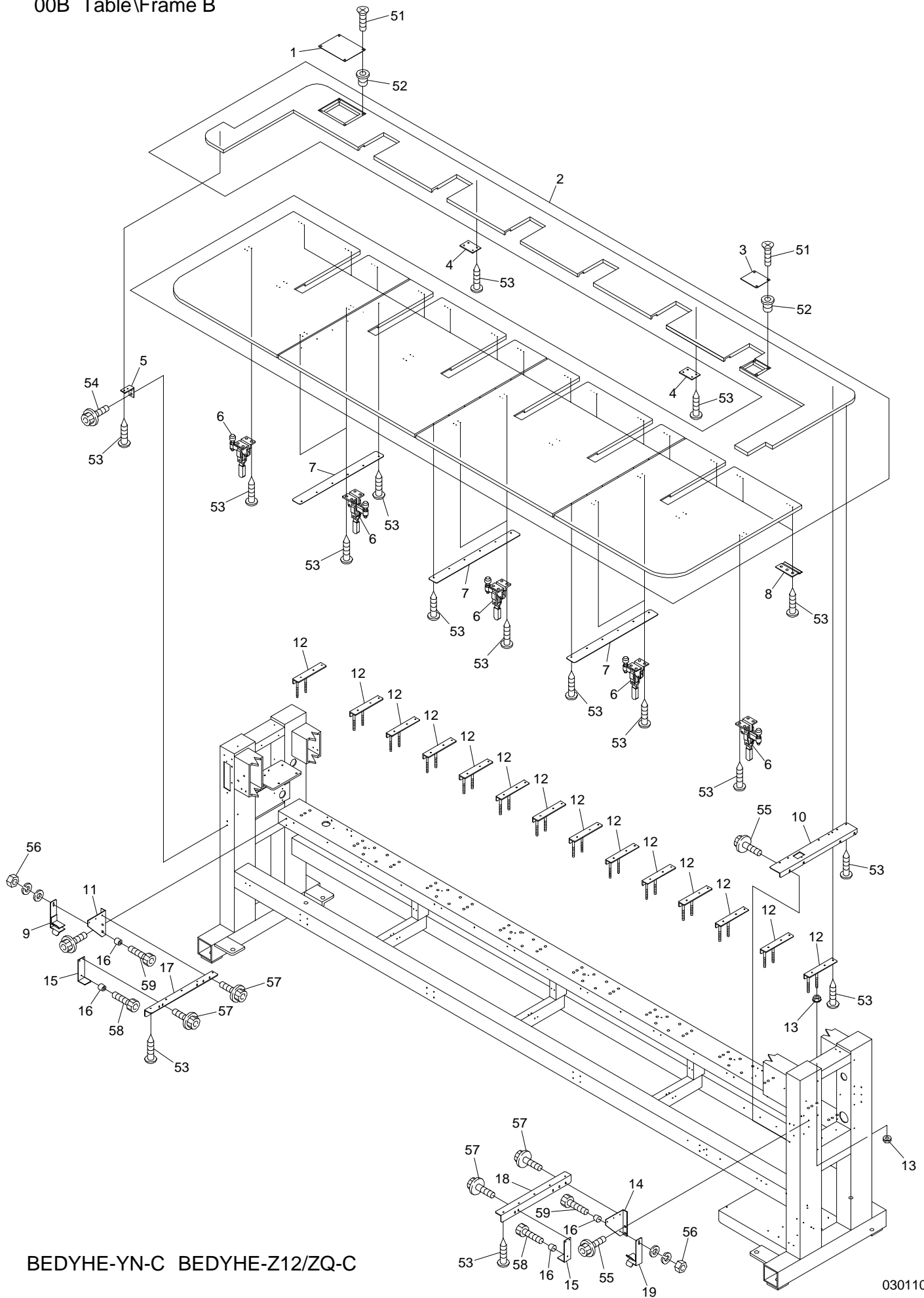
00A-2 Table\Frame A(6T)



From the library of: Diamond Needle Corp





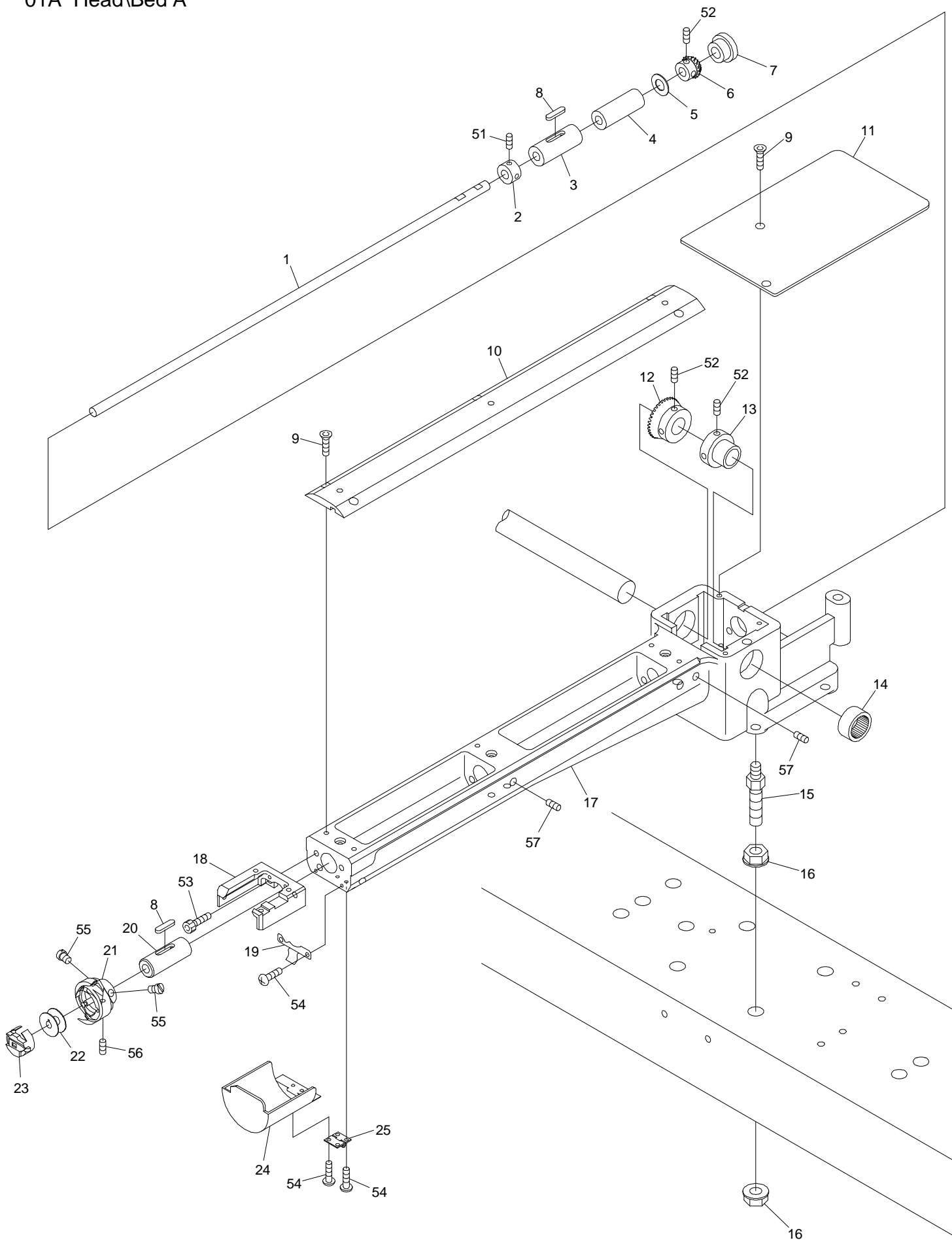


From the library of: Diamond Needle Corp

## 00B TABLE - FRAME B

ITEM	LIST NO.	DESCRIPTION	Q'TY	NOTE
1	SC120030	Thread cut service cover	1	
2	SJ120000	Table BEDYHE-ZQ-C02 450x520/520	1	2T
	SJ120010	Table BEDYHE-ZQ-C04 450x520/520	1	4T
	SJ120030	Table BEDYHE-ZQ-C06 450x520/520	1	6T
3	SC120040	Encoder service cover	1	
4	RQ120080	Jointed plate	2	
5	SC140090	Table support angle	1	
6	A9013070	Toggle clamp(KAKUTA No.40A)	2	2T
			6	4T
			8	6T
7	SC120010	Joint plate	2	4T
			3	6T
8	HM140120	Table stopper(Front)	6	2T
			10	4T
			14	6T
9	SJ140110	Table support L-lower(DYHE-C)	1	
10	SJ140020	R-side stand table support(DYHE)	1	
11	SJ140010	LH-table support bracket(DYHE)	1	
12	SC140140	Table support(L=200)	6	2T
			10	4T
			14	6T
13	SC210010	Adjust nut M10	24	2T
			40	4T
			56	6T
14	SJ140000	RH-table support bracket(DYHE)	1	
15	SC140040	Table support stay	2	
16	A9014163	Color rubber foot(C-30-FRB-3225)	4	
17	SC140030	LH-table support	1	
18	SC140020	RH-table support	1	
19	SJ140100	Table support R-lower(DYHE-C)	1	
51		Flush screw(Under cut) M4x8		
52		Rag nut(C) M4		
53		Pierce screw M5x19		
54		Hex.socket flange bolt M6x12		
55		Hex.socket flange bolt M6x12(Uni chrome)		
56		Hex.nut M5		
57		Hex.socket flange bolt M5x10(Uni chrome)		
58		Hex.socket bolt M5x15(Black)		
59		Hex.socket bolt M5x30(Black)		

01A Head\Bed A



From the library of: Diamond Needle Corp

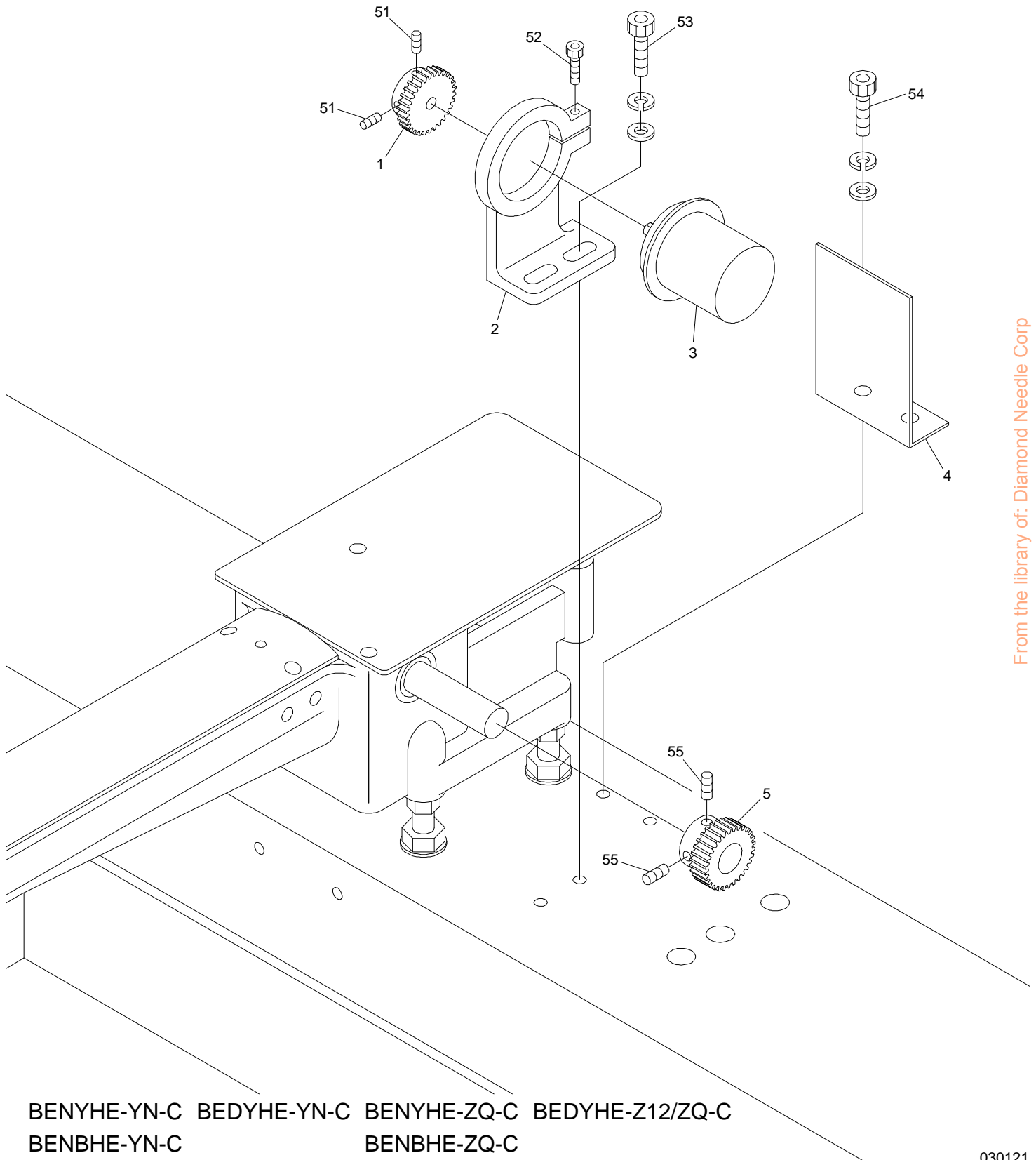
BEDYHE-YN-C BEDYHE-Z12/ZQ-C

030110

## 01A HEAD - BED A

ITEM	LIST NO.	DESCRIPTION	QTY	NOTE
1	HS210021	Lower shaft	Hx1	Small bobbin
	HS210020	Lower shaft	Hx1	Middle bobbin
2	KF220290	Lower shaft collar	Hx1	
3	KF220230	Lower shaft metal(Front)	Hx1	
4	HS220010	Lower shaft metal(Cylinder back side)	Hx1	
5	HT220061	Thrust washer (Lower shaft)	Hx1	
6	SJ220010	Lower shaft gear (Small gear)	Hx1	
7	A9014059	Gromet MG(MG-1)	Hx1	
8	KL220140	Oil felt C(5x25x20)	Hx2	
9	KX250080	Throat plate set screw(Hex.socket)	Hx7	
10	SJ210120	Cylinder bed cover,correspond barrel frame	Hx1	
11	HS210042	Bed cover	Hx1	
12	SJ320010	Lower shaft gear(Large gear,Korean)	Hx1	
13	HP321090	Lower shaft connecting shaft collar	Hx1	
14	A9011111	Needle bearing(TLA-2012Z)	Hx1	
15	SC210000	Adjust bolt	Hx4	
16	SC210010	Adjust nut M10	Hx8	
17	SJ210090	Barrel bed(Small bobbin) correspond barrel frame	Hx1	Small bobbin
	SJ210150	Barrel bed R-type(Middle bobbin) correspond barrel frame	Hx1	Middle bobbin
18	SJ210080	Throat plate base,correspond barrel frame	Hx1	
19	KC250482	Barrel bed cover hold spring	Hx1	
20	KF220240	Vertical shaft metal(Upper)	Hx1	
21	KF220700	Rotating hook HSL-ATR(M1QTS)	Hx1	Small bobbin
	KF221040	Middle bobbin for automatic feed oil HSM-A(MQ2L)	Hx1	Middle bobbin
22	KF220530	Bobbin	Hx1	Small bobbin
	KF220421	Bobbin (HSM)(DBM)(For aluminum,middle bobbin)	Hx1	Middle bobbin
23	KF221020	Bobbin case(4B19-S6-BA)	Hx1	Small bobbin
	KF220302	Bobbin case BC-DBM(Z2)-NBL5 middle bobbin	Hx1	Middle bobbin
24	HS210031	Barrel bed cover(Short type)	Hx1	
25	A9012027	Hinge(TH-TN-72)	Hx1	
51		Hex.socket set screw SM1/4 40x4		
52		Hex.socket set screw M5x6		
53		Hex.socket bolt M5x15		
54		Pan screw M3x6		
55		Screw(SM11/64 40x5)		
56		Set screw(SM11/64 40x5)		

01B Head\Bed B

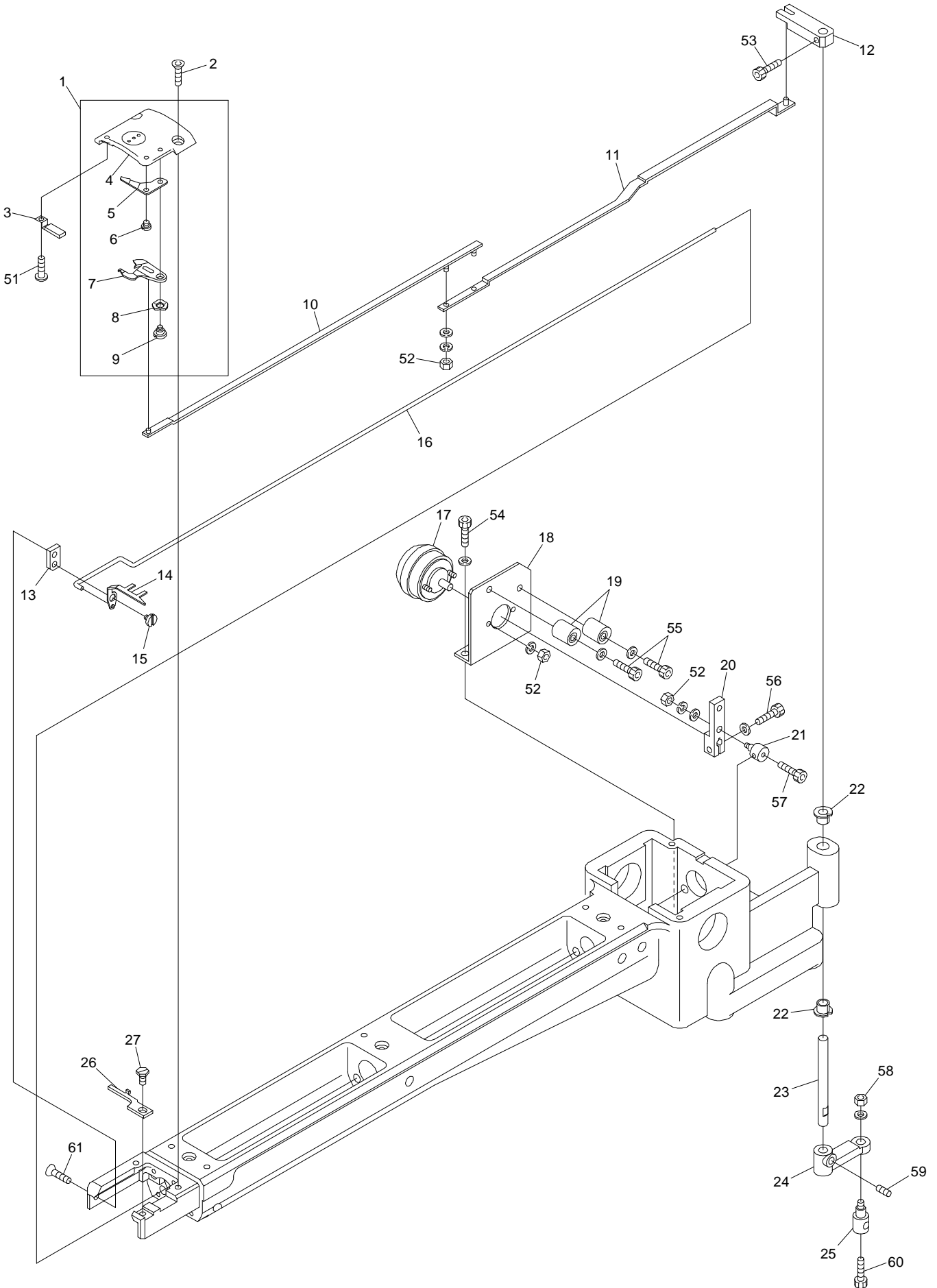


From the library of: Diamond Needle Corp

BENYHE-YN-C BEDYHE-YN-C BENYHE-ZQ-C BEDYHE-Z12/ZQ-C  
BENBHE-YN-C BENBHE-ZQ-C



02A Thread cut A



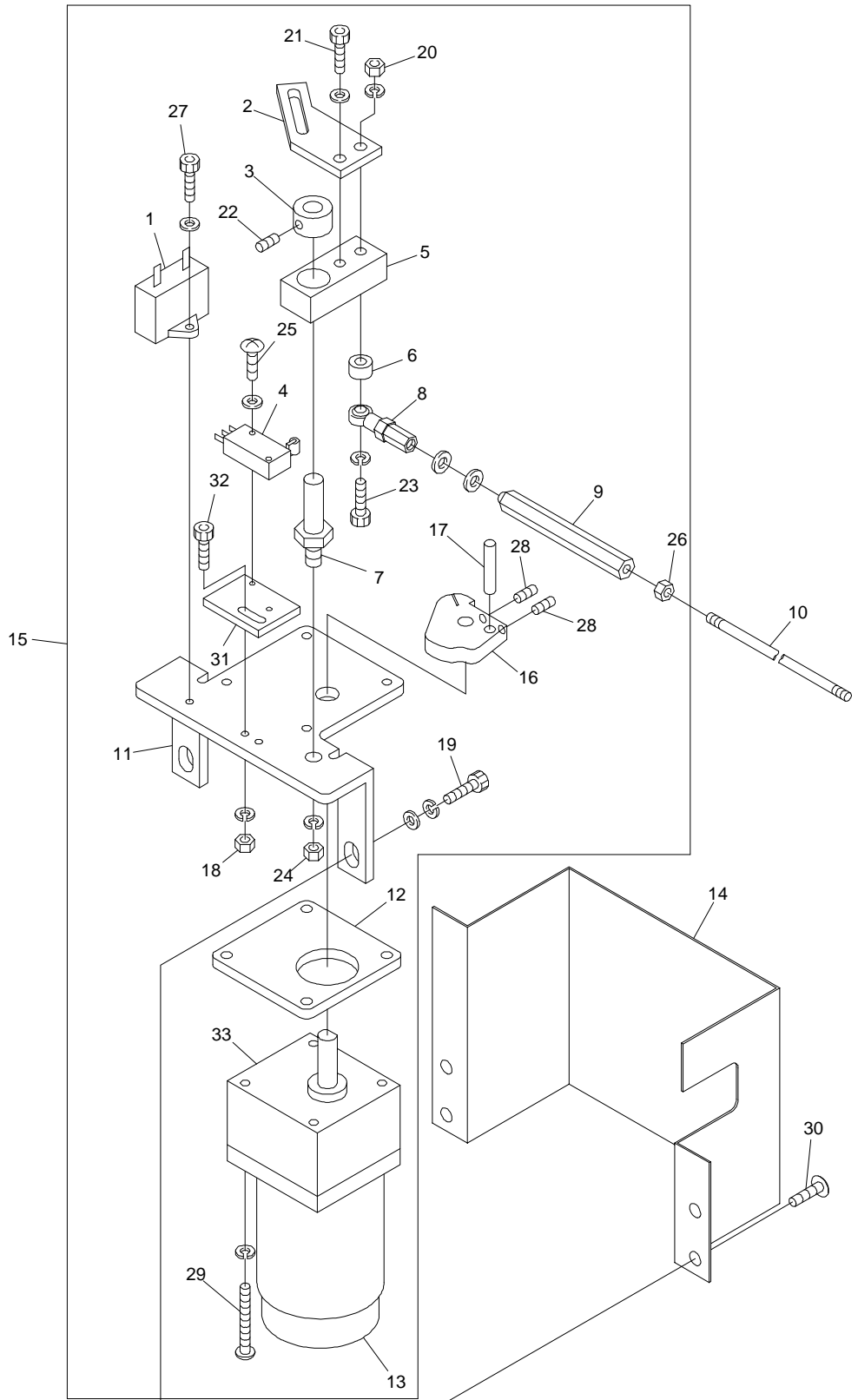
From the library of: Diamond Needle Corp



## 02A THREAD CUT A

ITEM	LIST NO.	DESCRIPTION	Q'TY	NOTE
1	SJ270010	Throat plate a'ssy (Barrel frame correspondence)	Hx1	
2	KX250080	Throat plate set screw(Hex.socket)	Hx2	
3	HT270181	Lower thread support stay(Cylinder) CMP	Hx1	
4	SJ270020	Cylinder throat plate Barrel frame correspondence	Hx1	
5	SJ270040	Fixed knife barrel frame correspondence	Hx1	
6	KX270010	Fixed knife set screw	Hx1	
7	SJ270030	Driving knife barrel frame correspondence	Hx1	
8	A9013066	Wave washer(WW5)(SK)	Hx1	
9	KN272010	Lower thread knife rotary shaft	Hx1	
10	HS210111	Lower thread knife drive rod A	Hx1	
11	HS210121	Lower thread knife drive rod B	Hx1	
12	HS210100	Lower thread knife drive lever upper	Hx1	
13	HS210051	Hook fixed stay(Short type)	Hx1	
14	HS210300	Hook(Cylinder MK5)	Hx1	
	HS210142	Hook(For middle bobbin)	Hx1	
15	KC271001	Upper thread knife rotary shaft	Hx1	
16	HS210070	Hook drive rod	Hx1	
17	A9056030	Rotary solenoid 3ER25-35x3x8x9 M960371R(ETL)	Hx1	
18	SJ210040	Solenoid stay(Short small bobbin)	Hx1	
	HS210060	Solenoid stay(For middle bobbin)	Hx1	
19	KN272401	Stopper eccentric	Hx2	
20	KC271940	Soleroid lever A	Hx1	
21	HS210080	Connecting clamp	Hx1	
22	A9011173	DU bush with flange(MB0606-12FDU)	Hx2	
23	HS210090	Knife lever rotary shaft	Hx1	
24	KN271560	Knife lever	Hx1	
25	HM270000	Connecting bar clamp	Hx1	
26	KX270000	Rotating hook bobbin case holder position bracket	Hx1	
27	KX270430	Screw(Cylinder)	Hx1	
51		Pan screw M3x3		
52		Hex.nut M3		
53		Hex.socket bolt M4x6		
54		Hex.socket bolt M4x8(With plain washer)		
55		Hex.socket bolt M4x18		
56		Hex.socket bolt M4x10		
57		Hex.socket bolt M3x5		
58		Hex.nut M4		
59		Hex.socket set screw M5x6		
60		Hex.socket bolt M4x8		
61		Hex.socket flush screw M4x6		

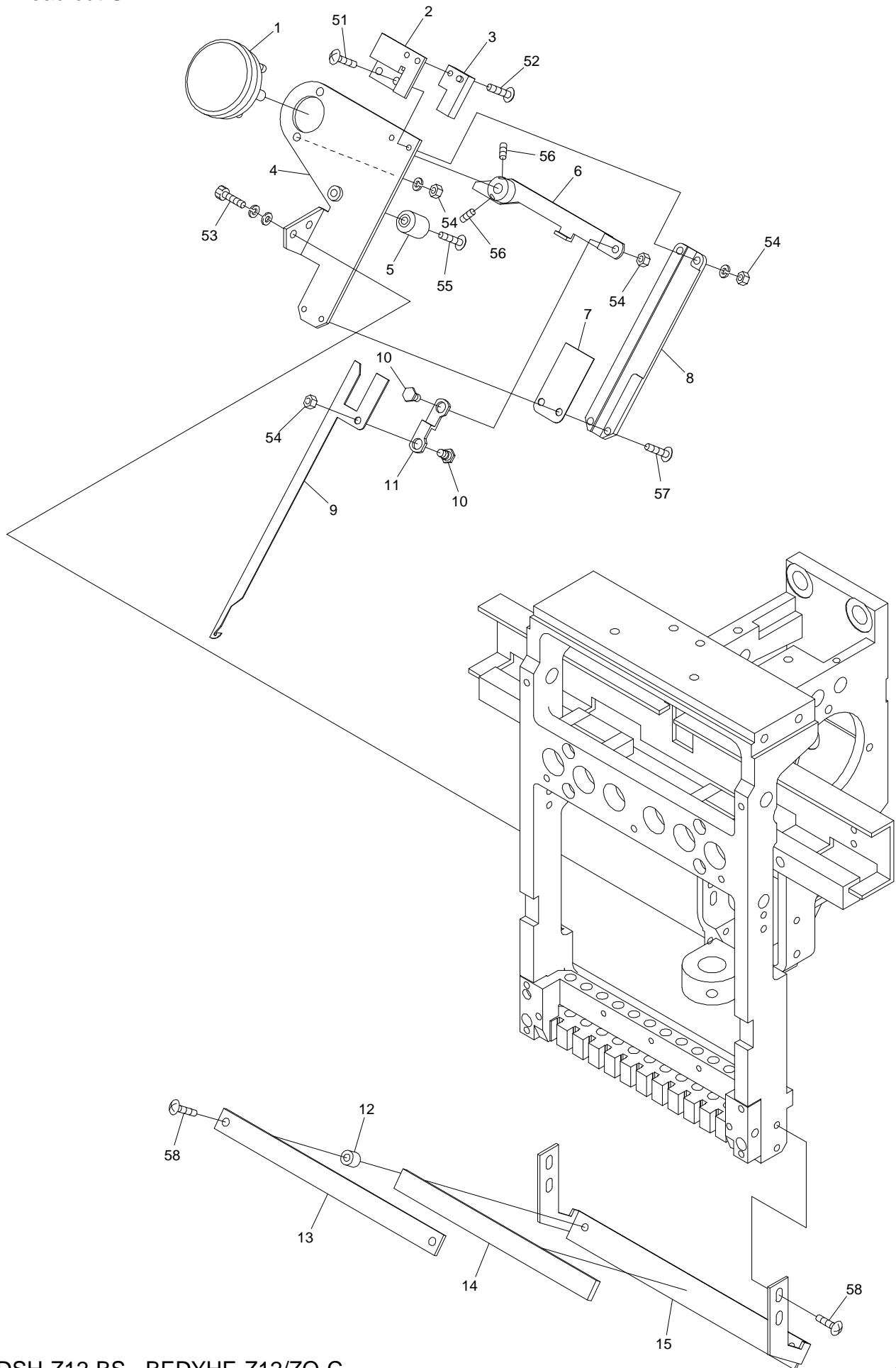
02B Thread cut B



From the library of: Diamond Needle Corp



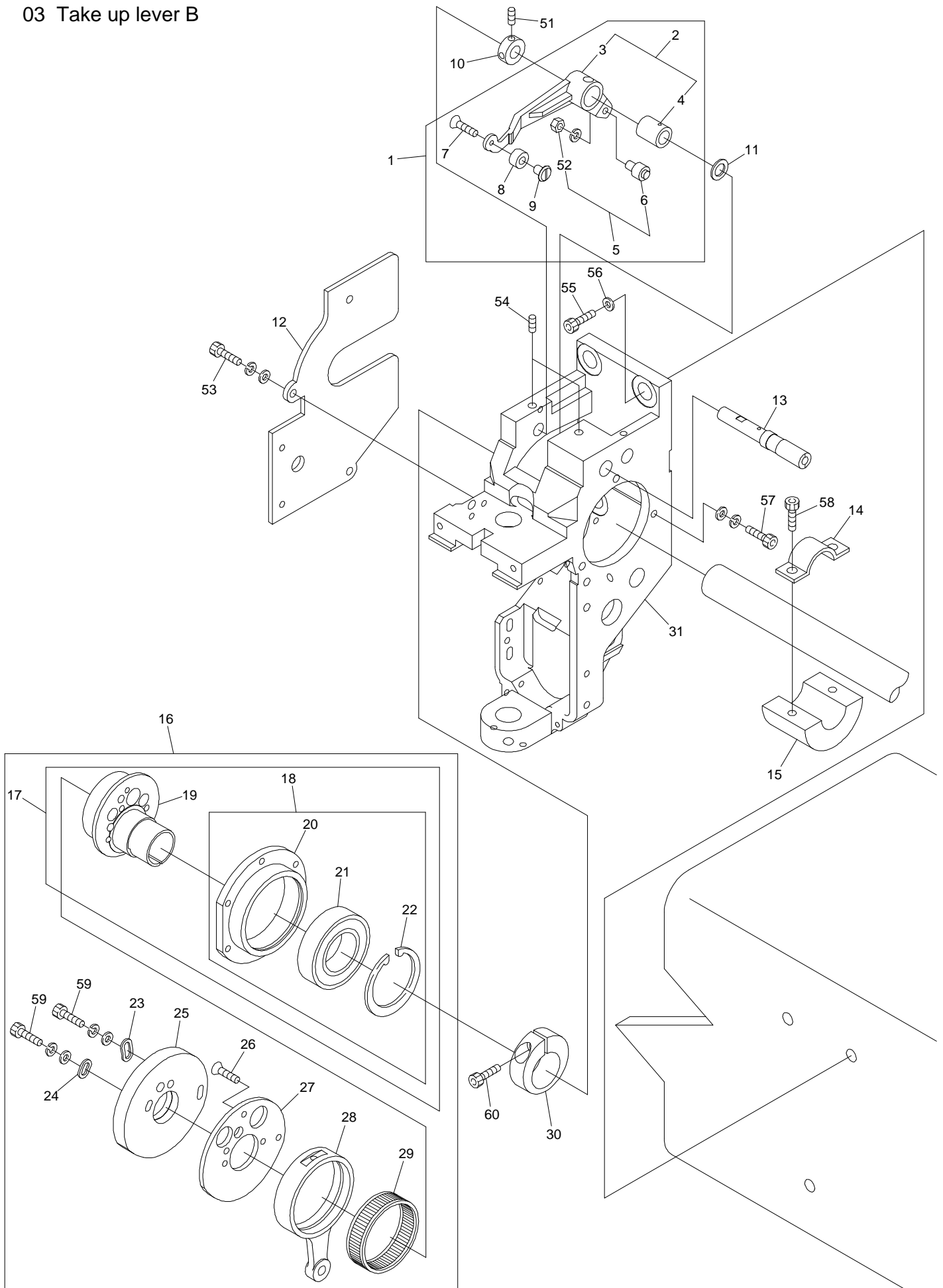
02C Thread cut C



From the library of: Diamond Needle Corp



### 03 Take up lever B

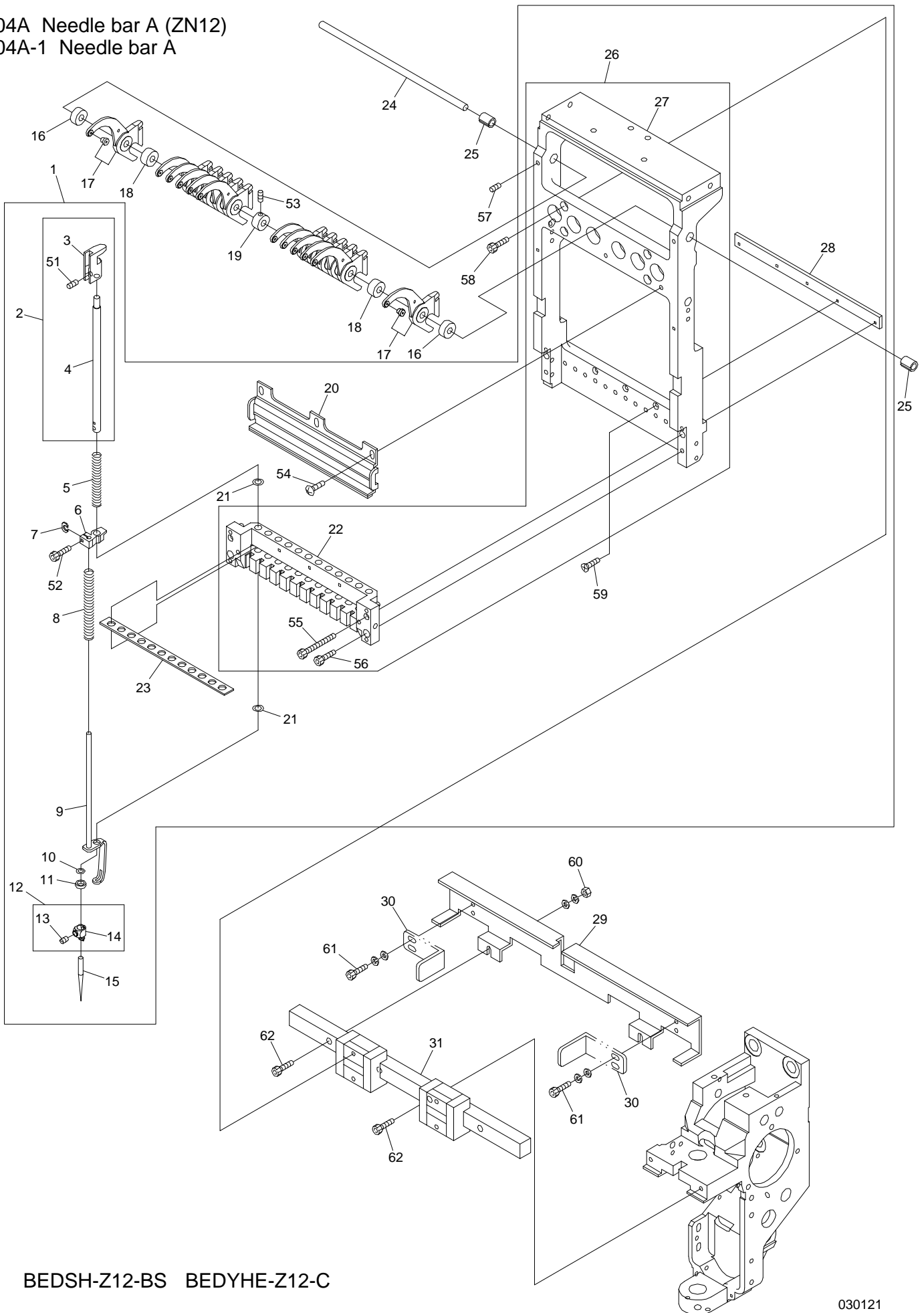


From the library of: Diamond Needle Corp

## 03 TAKE UP LEVER

ITEM	LIST NO.	DESCRIPTION	Q'TY	NOTE
1	RV230070	Take up lever driving lever a'ssy	Hx1	
2	RH230801	Take up lever driving lever(Metal)	Hx1	
3	RH230311	Take up lever driving lever	Hx1	
4	RH230810	Take up lever metal	Hx1	
5	KF230501	Take up lever roller a'ssy	Hx1	
6	KF230680	Cam followers(KRx4x7.9x15-1Px1)	Hx1	
7	HB230650	Flush screw(With adhesion)	Hx1	
8	RV230060	Take up lever driving roller	Hx1	
9	RD230130	Take up lever driving roller shaft	Hx1	
10	HB230800	Take up lever driving lever fixing pin set collar	Hx1	
11	RH230610	Thrust washer	Hx1	
12	SG230100	Arm reinforcement bracket	Hx1	
13	RH230320	Take up lever driving lever fixing pin	Hx1	
14	RR320030	Balancer set plate(For 20 shaft)	H-2	DSH
15	RR320020	Balancer for 20 shaft	H-2	DSH
16	SG230350	Take up lever Needle bar drive a'ssy	Hx1	
17	RN230010	Needle bar driving cam a'ssy	Hx1	
18	RN230030	Bearing case a'ssy	Hx1	
19	RN230020	Needle bar driving cam(Eccentric 9.2 x 20dia.)	Hx1	
20	RN230040	Bearing case	Hx1	
21	A9010073	Ball bearing(6005ZZ)	Hx1	
22	A9012421	C-ring for hole 47	Hx1	
23	HB230080	Washer for cam(2)	Hx1	
24	HB230070	Washer for cam(1)	Hx1	
25	SG230340	Take up lever cam H6RN(20)	Hx1	
26	HB230620	Flush screw	Hx3	
27	RH230300	Take up lever cam base	Hx1	
28	RH230280	Needle bar crank rod	Hx1	
29	RH230271	Needle bearing	Hx1	
30	RH230330	Needle bar driving cam set collar	Hx1	
31	SG210000	Arm	Hx1	
51		Hex.socket set screw M4x4(With adhesion)		
52		Hex.nut M4(With spring washer)		
53		Hex.socket bolt M4x10(With washers)		
54		Hex.socket set screw M5x5		
55		Hex.socket bolt M8x25		
56		Disc spring 8		
57		Hex.socket bolt M4x15(With washers)		
58		Hex.socket bolt M5x15		DSH
59		Hex.socket bolt M4x8		
60		Hex.socket bolt M5x18		

04A Needle bar A (ZN12)  
 04A-1 Needle bar A



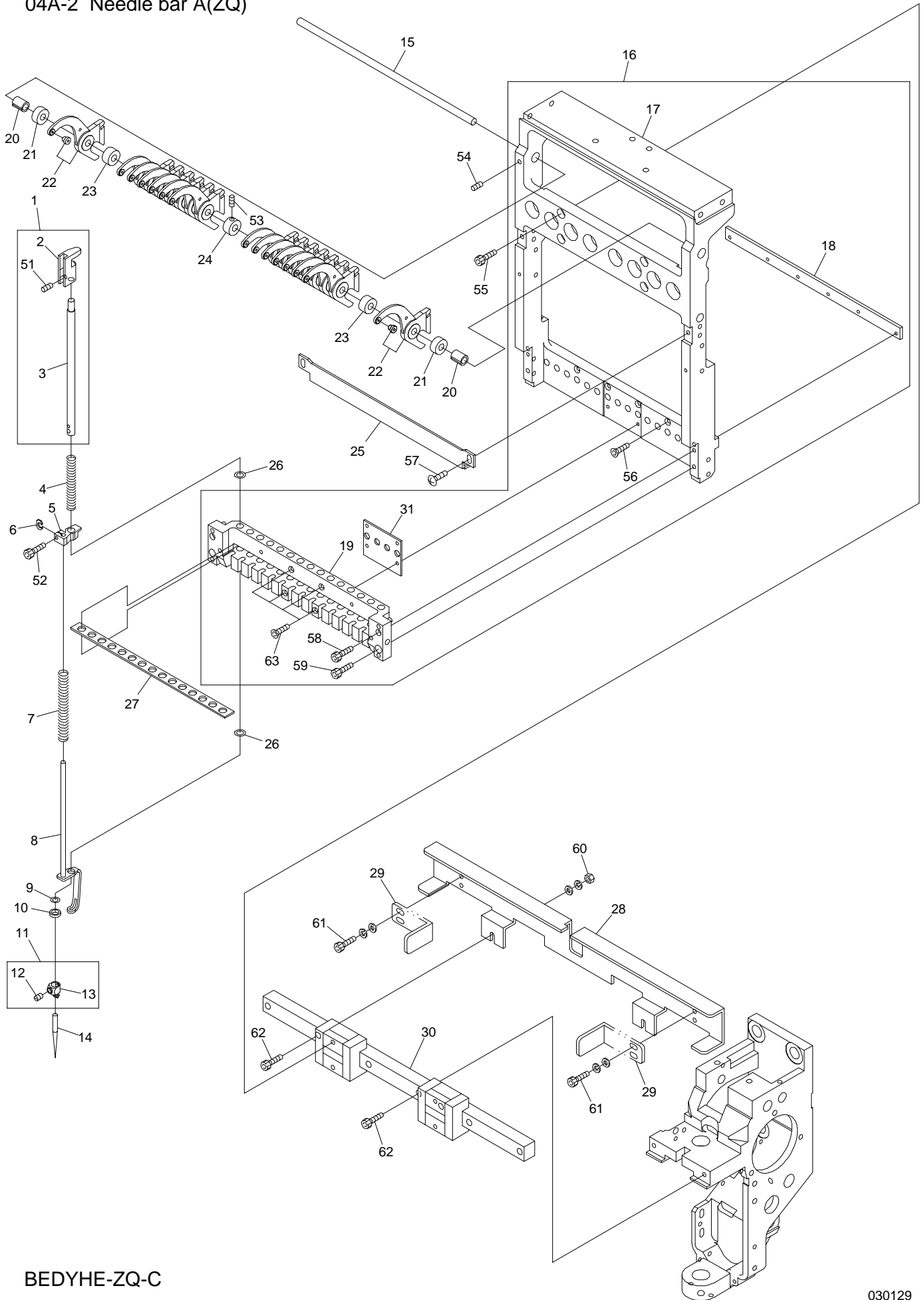
From the library of: Diamond Needle Corp



## 04A-1 NEEDLE BAR A(Z12)

ITEM	LIST NO.	DESCRIPTION	Q'TY	NOTE
1	SG230330	Slide block a'ssy	Hx1	
2	RD230480	Needle bar a'ssy	Hx12	
3	RD230490	Needle bar guide	Hx12	
4	RH230410	Needle bar	Hx12	
5	KV230040	Needle bar spring(Upper,for thick type)	Hx12	
6	HT230330	Cloth hold set clamp	Hx12	
7	HT230263	Washer for set clamp	Hx12	
8	SG230220	Needle bar spring lower	Hx12	
9	RD230370	Cloth hold(ZQ4)	Hx12	
10	KF230910	O-ring(AN6227-5)	Hx12	
11	HT230120	Washer 2.4	Hx12	
12	RH230440	Needle clamp(With hook,set screw)	Hx12	
13	RH230460	Needle clamp screw	Hx12	
14	RH230450	Needle clamp(With hook)	Hx12	
15	FN070011SNY	Needle(DBXK5-NY11S)	Hx12	
16	SG230230	Take up lever spacer(t=6.1)	Hx2	
17	KX230152	Take up lever(ZN multi)	Hx12	
18	KX230141	Take up lever spacer	Hx10	
19	RD230201	Take up lever spacer collar	Hx1	
20	SG230040	Needle bar stocker	Hx1	
21	A9014167	O-ring SS065	Hx24	
22	SG230070	Needle bar base	Hx1	
23	SG230150	Needle bar felt	Hx1	
24	SG230140	Take up lever shaft(Z12)	Hx1	
25	SG230200	Take up lever collar(Z12)	Hx2	
26	SG230050	Slide block set	Hx1-1	Except for 1st head
	SG230360	Slide block set (For color change connecting head)	1	1st head
27	SG230060	Slide block	Hx1	
28	SG230110	Bearing plate	Hx1	
29	SG230091	Take up lever stocker(Z12)	Hx1	
30	SG230320	Slide block stopper	Hx2	Machine carrying only
31	SG230120	LM (Z12)	Hx1	
51		Hex.socket double point screw M4x4		
52		Hex.socket bolt M3x8		
53		Hex.socket set screw M4x4		
54		Truss screw M4x8		
55		Hex.socket bolt M3x35		
56		Hex.socket bolt M4x12		
57		Hex.socket set screw M4x8		
58		Hex.socket bolt M4x10		
59		Hex.socket flush screw M3x14		
60		Hex.nut M4(With washers)		
61		Hex.socket bolt M4x10(With washers)		
62		Hex.socket bolt M4x14		

# 04A-2 Needle bar A(ZQ)

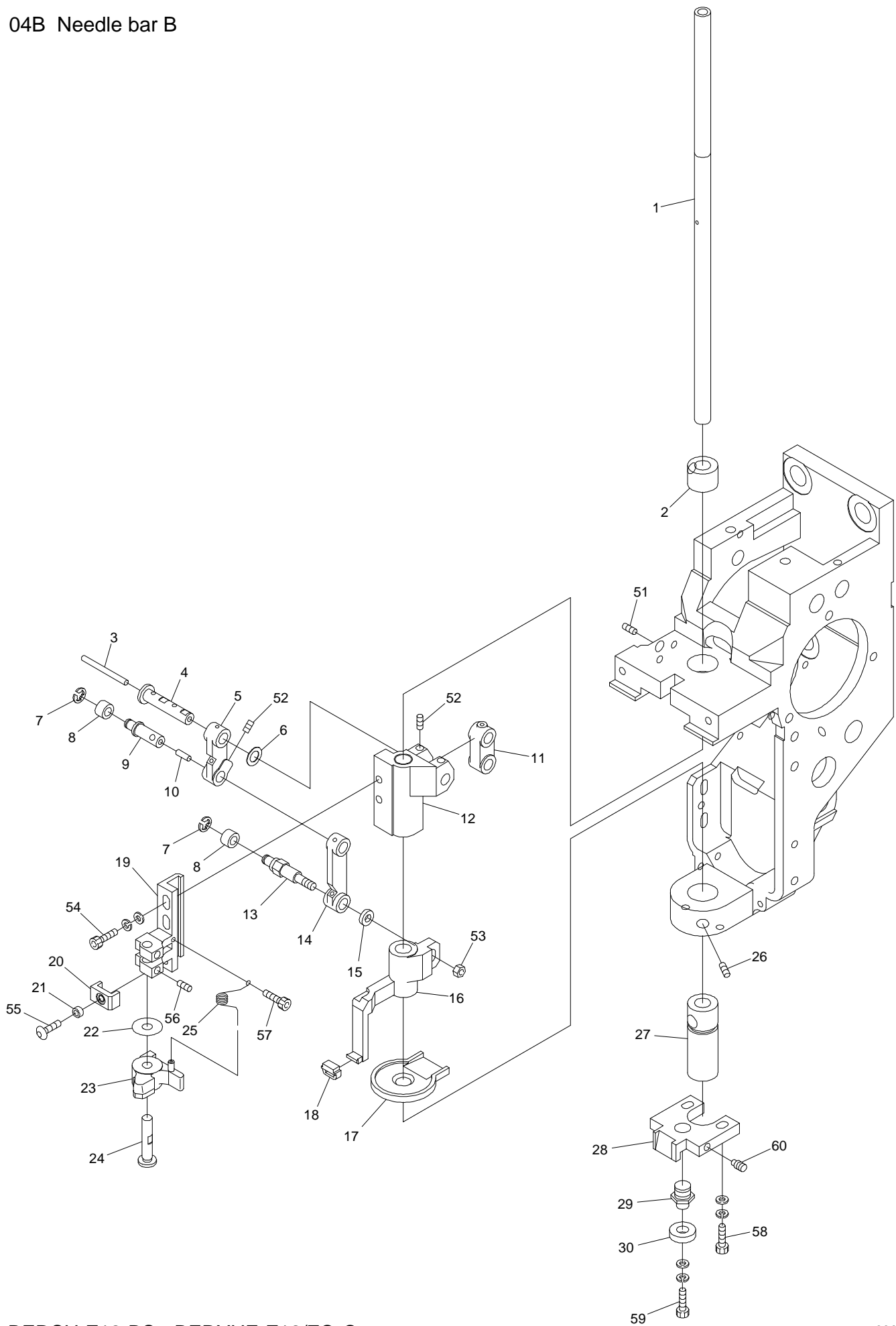


From the library of: Diamond Needle Corp

## 04A-2 NEEDLE BAR A(ZQ)

ITEM	LIST NO.	DESCRIPTION	Q'TY	NOTE
1	RD230480	Needle bar a'ssy	Hx15	
2	RD230490	Needle bar guide	Hx15	
3	RH230410	Needle bar	Hx15	
4	KV230040	Needle bar spring(Upper,for thick type)	Hx15	
5	HT230330	Cloth hold set clamp	Hx15	
6	HT230263	Washer for set clamp	Hx15	
7	SG230220	Needle bar spring lower	Hx15	
8	RD230370	Cloth hold(ZQ4)	Hx15	
9	KF230910	O-ring(AN6227-5)	Hx15	
10	HT230120	Washer 2.4	Hx15	
11	RH230440	Needle clamp(With hook,set screw)	Hx15	
12	RH230460	Needle clamp screw	Hx15	
13	RH230450	Needle clamp(With hook)	Hx15	
14	FN070011SNY	Needle(DBXK5-NY11S)	Hx15	
15	SL270070	Take up lever shaft(ZQ6)	Hx1	
16	SL230001	Slide block set(ZQ6)	Hx1-1	Except for 1st head
	SL230011	Slide block set (For color change connecting head)	1	1st head
17	SL230020	Slide block	Hx1	
18	RD230060	Bearing plate	Hx1	
19	SL230031	Needle bar base	Hx1	
20	SG230200	Take up lever collar(Z12)	Hx2	
21	SG230230	Take up lever spacer(t=6.1)	Hx2	
22	KX230152	Take up lever(ZN multi)	Hx15	
23	KX230141	Take up lever spacer	Hx13	
24	RD230201	Take up lever spacer collar	Hx1	
25	SL230040	Needle bar stocker(ZQ6)	Hx1	
26	A9014167	O-ring SS065	Hx30	
27	SL230080	Needle bar felt	Hx1	
28	SL230050	Take up lever stocker(ZQ6)	Hx1	
29	SG230320	Slide block stopper	Hx2	Machine carrying only
30	SL230060	LM-guide(ZQ6)	Hx1	
31	SL230090	Slide block sim	Hx1	
51		Hex.socket double point screw M4x4		
52		Hex.socket bolt M3x8		
53		Hex.socket set screw M4x4		
54		Hex.socket set screw M4x8		
55		Hex.socket bolt M4x10		
56		Hex.socket flush screw M3x14		
57		Truss screw M4x8		
58		Hex.socket bolt M3x35		
59		Hex.socket bolt M4x12		
60		Hex.nut M4(With washers)		
61		Hex.socket bolt M4x10(With washers)		
62		Hex.socket bolt M4x14		
63		Hex.socket flush bolt M3x25		

04B Needle bar B

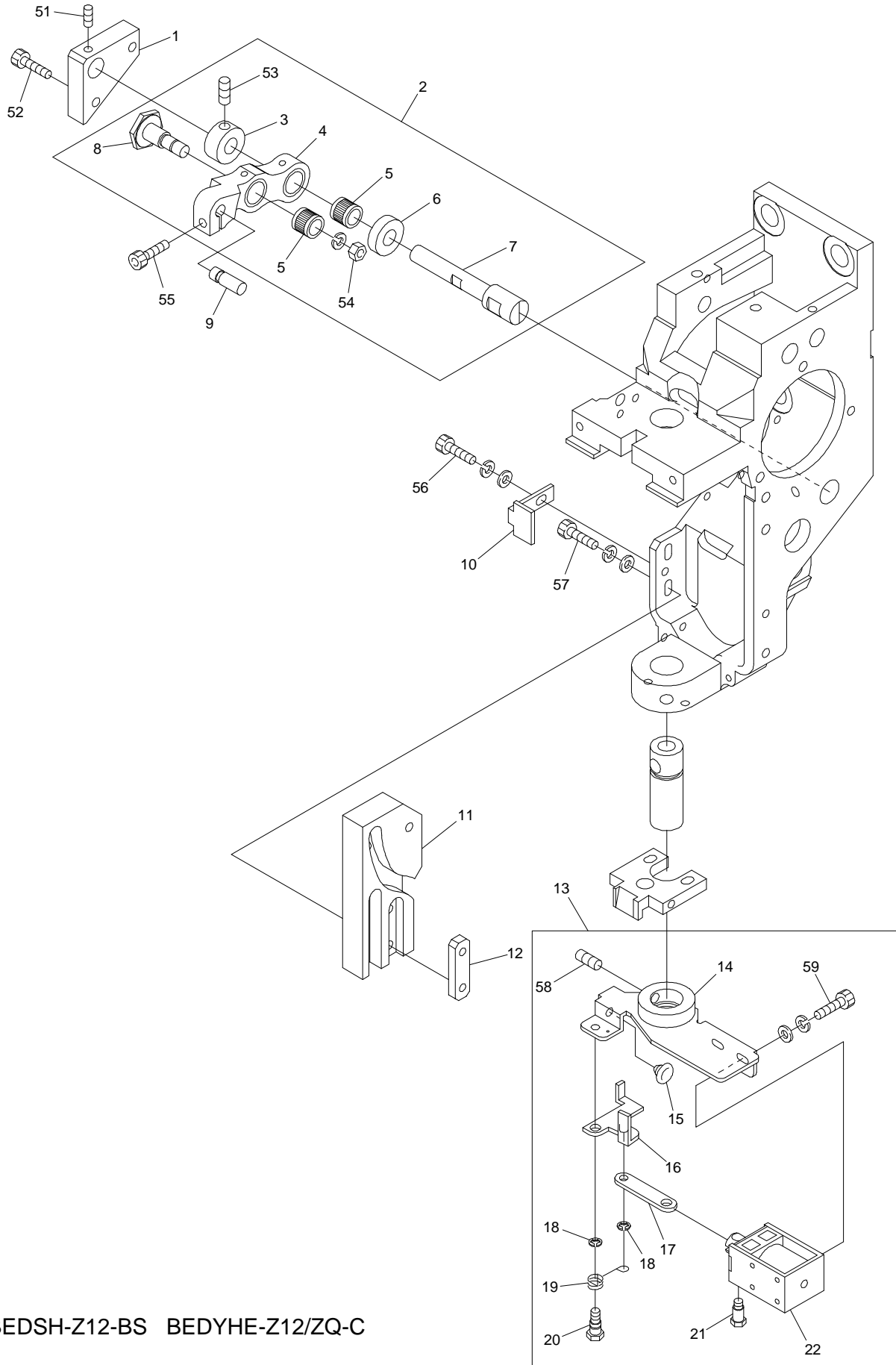


From the library of: Diamond Needle Corp

## 04B NEEDLE BAR B

ITEM	LIST NO.	DESCRIPTION	Q'TY	NOTE
1	SG230170	Driving shaft	Hx1	
2	KX230071	Slide shaft bush(Upper)	Hx1	
3	HT230750	Oil core(30mm)	Hx1	
4	HT230471	Small link pin	Hx1	
5	HT230491	Link(Small)	Hx1	
6	HT230730	Shim ring(10 t=0.3)	Hx1	
7	A9012127	E-ring(3)	Hx2	
8	KF230530	Roller(For take up lever)	Hx2	
9	HT230450	Link roller joint pin	Hx1	
10	HT230760	Oil core(8mm)	Hx1	
11	HB230200	Needle bar driving link	Hx1	
12	HT230510	Needle bar driver slide block	Hx1	
13	SG230180	Link roller joint pin(Large)	Hx1	
14	HT230480	Link(Large)	Hx1	
15	SG230190	Washer for joint pin	Hx1	
16	SG230031	Cloth hold support slide block	Hx1	
17	SG230000	Oil receive plate	Hx1	
18	HT230340	Cloth hold support rubber	Hx1	
19	HT230290	Needle bar beat fixing base	Hx1	
20	HT230520	Needle bar driving stopper	Hx1	
21	A9012368	Spacer(Roll bush)	Hx1	
22	RH230550	Shim ring	Hx1	
23	RH230540	Needle bar driver	Hx1	
24	HT230280	Needle bar driver pin	Hx1	
25	HT230560	Needle bar driver return spring	Hx1	
26	A9012415	Double point screw M6x7(P0.75)	Hx2	
27	LA230080	Slide shaft bush(Lower)	Hx1	
28	LA230140	Bearing guide	Hx1	
29	SG230300	Bearing pin	Hx1	
30	A9010065	Ball bearing 686zz	Hx1	
51		Hex.socket set screw M4x10		
52		Hex.socket set screw M4x6(With nylon)		
53		Hex.nut M4		
54		Hex.socket bolt M4x12(With washers)		
55		Hex.socket button bolt M3x6		
56		Hex.socket set screw M4x4(With nylon)		
57		Hex.Socke bolt M2.5x6		
58		Hex.socket bolt M4x15(With washers)		
59		Hex.socket bolt M4x6(With washers)		
60		Hex.socket set screw(Dog point) M4x12		

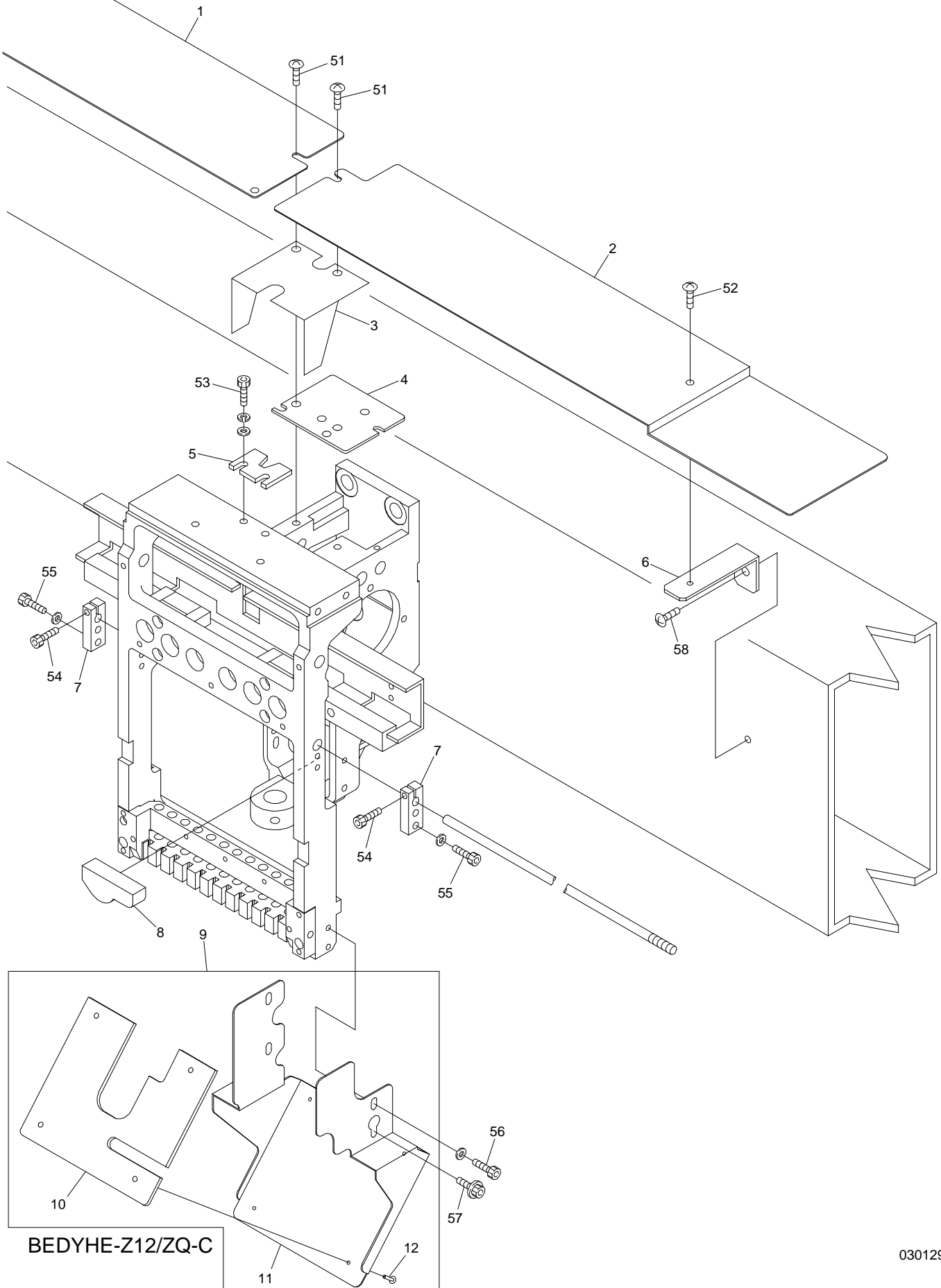
04C Needle bar C



BEDSH-Z12-BS BEDYHE-Z12/ZQ-C



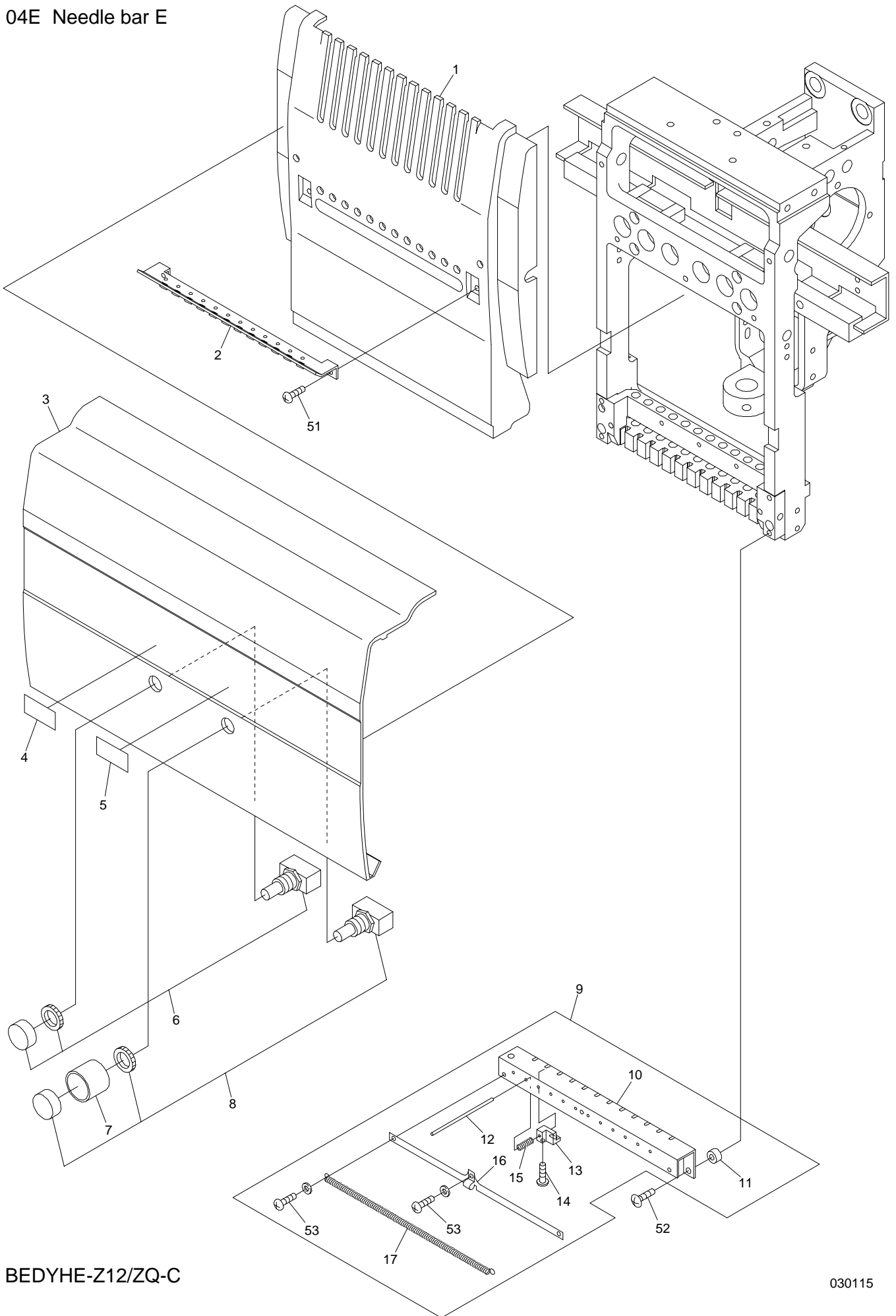
# 04D Needle bar D







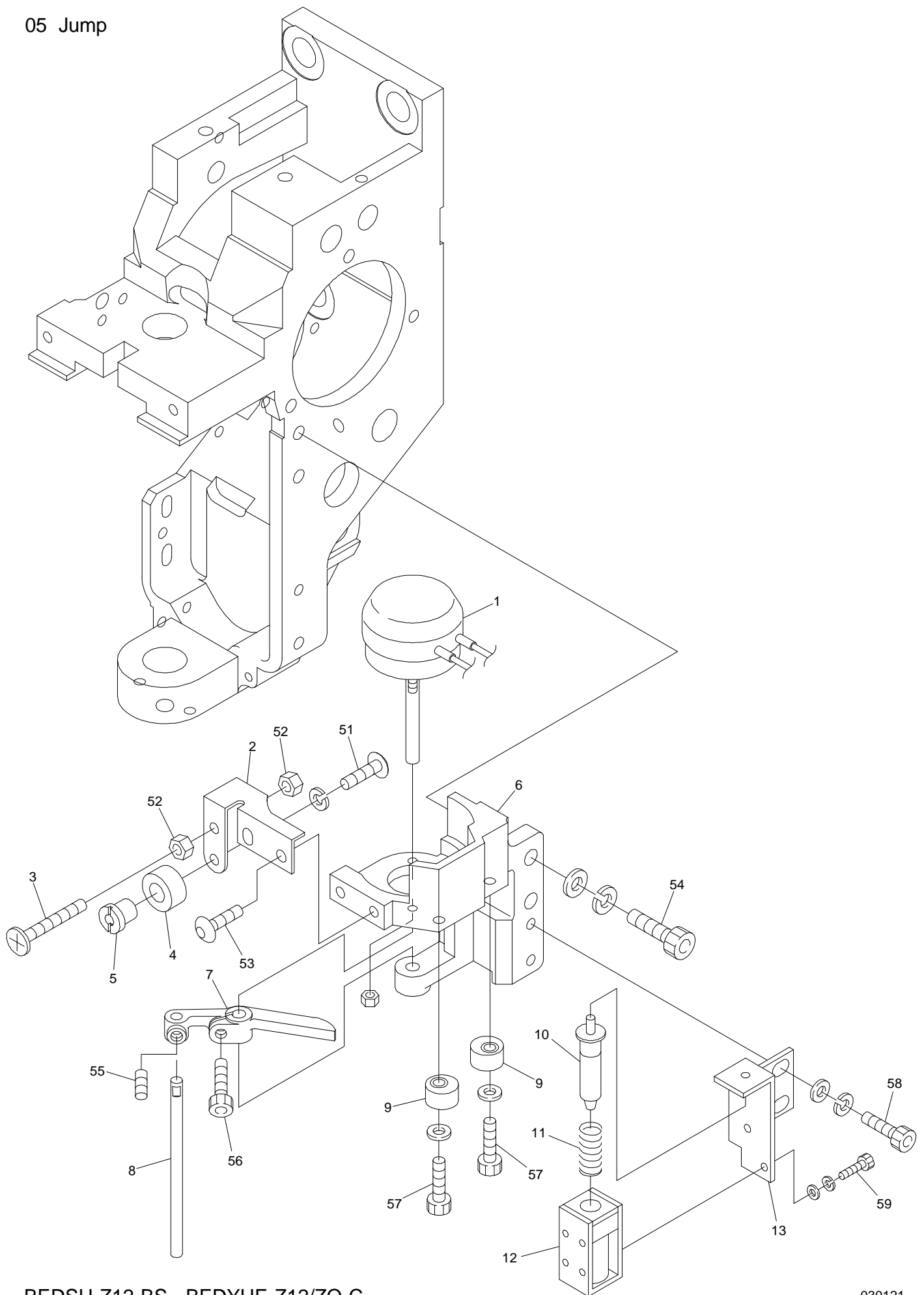
04E Needle bar E



## 04E NEEDLE BAR E

ITEM	LIST NO.	DESCRIPTION	Q'TY	NOTE
1	SG250000	Head cover(Z12)	Hx1	Z12
	SL250000	Head cover(ZQ6)	Hx1	ZQ
2	SG240000	Thread guard(With ceramic)	Hx1	Z12
	RD240271	Thread guard(With ceramic)	Hx1	ZQ
3	SG250170	Head between cover(Z12,P=380)	2	
	SG250180	Head between cover(Z12,P=380) with hole	2	
	SG250150	Head between cover(Z12,P=520)	2	
	SG250160	Head between cover(Z12,P=520) with hole	2	
	SF250100	Head between cover(ZQ,P=380)	2	
	SL250020	Head between cover(ZQ,P=380) with hole	2	
	SF250120	Head between cover(ZQ,P=520)	2	
	SL250010	Head between cover(ZQ,P=520) with hole	2	
4	SF250150	Name plate(Stop)	2	
5	SF250140	Name plate(Start)	2	
6	A9052081	Push button switch(SB-221 N/O,AT-412R)	2	
7	KX510140	Switch cover	2	
8	A9052080	Push button switch(SB-221 N/O,AT-412M)	2	
9	SG270170	Thread support apron a'ssy	Hx1	Z12
	SL270000	Thread support apron a'ssy	Hx1	ZQ
10	SG270010	Thread support apron	Hx1	Z12
	SL270010	Thread support apron	Hx1	ZQ
11	SG270140	Thread support apron spacer	Hx2	
12	SG270130	Thread support pin	Hx12	Z12
			Hx15	ZQ
13	SG270000	Thread support clamp	Hx12	Z12
			Hx15	ZQ
14	HT270063	Thread support clamp set screw	Hx12	Z12
			Hx15	ZQ
15	SG270180	Thread support spring	Hx12	Z12
			Hx15	ZQ
16	SG270150	Thread holder spring support	Hx1	Z12
	SL270030	Thread holder spring support	Hx1	ZQ
17	SG270160	Thread holder spring	Hx1	Z12
	SL270020	Thread holder spring	Hx1	ZQ
51		Pan screw M3x8		
52		Truss screw M4x12		
53		Pan screw M3x4		

05 Jump

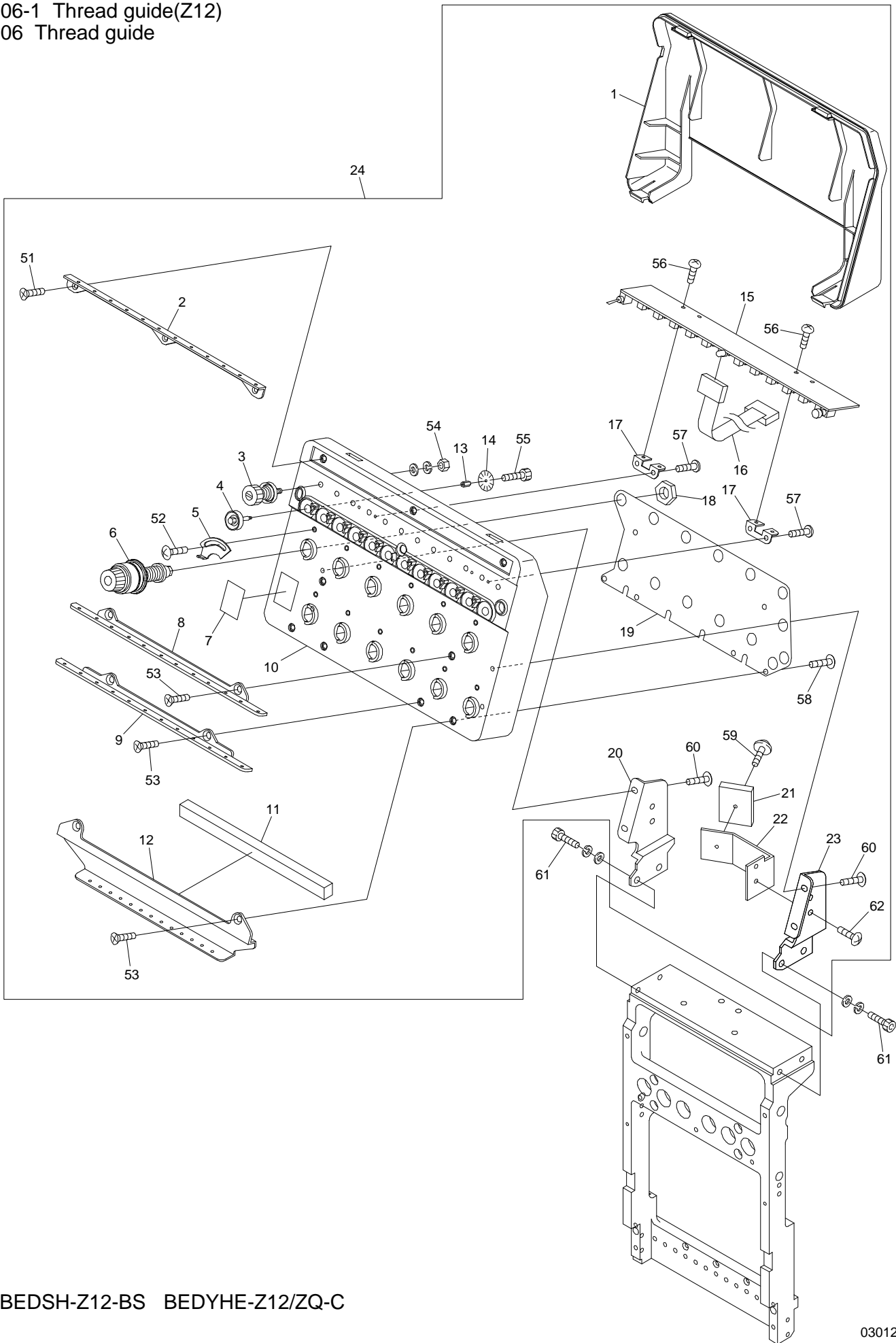


BEDSH-Z12-BS BEDYHE-Z12/ZQ-C

030121



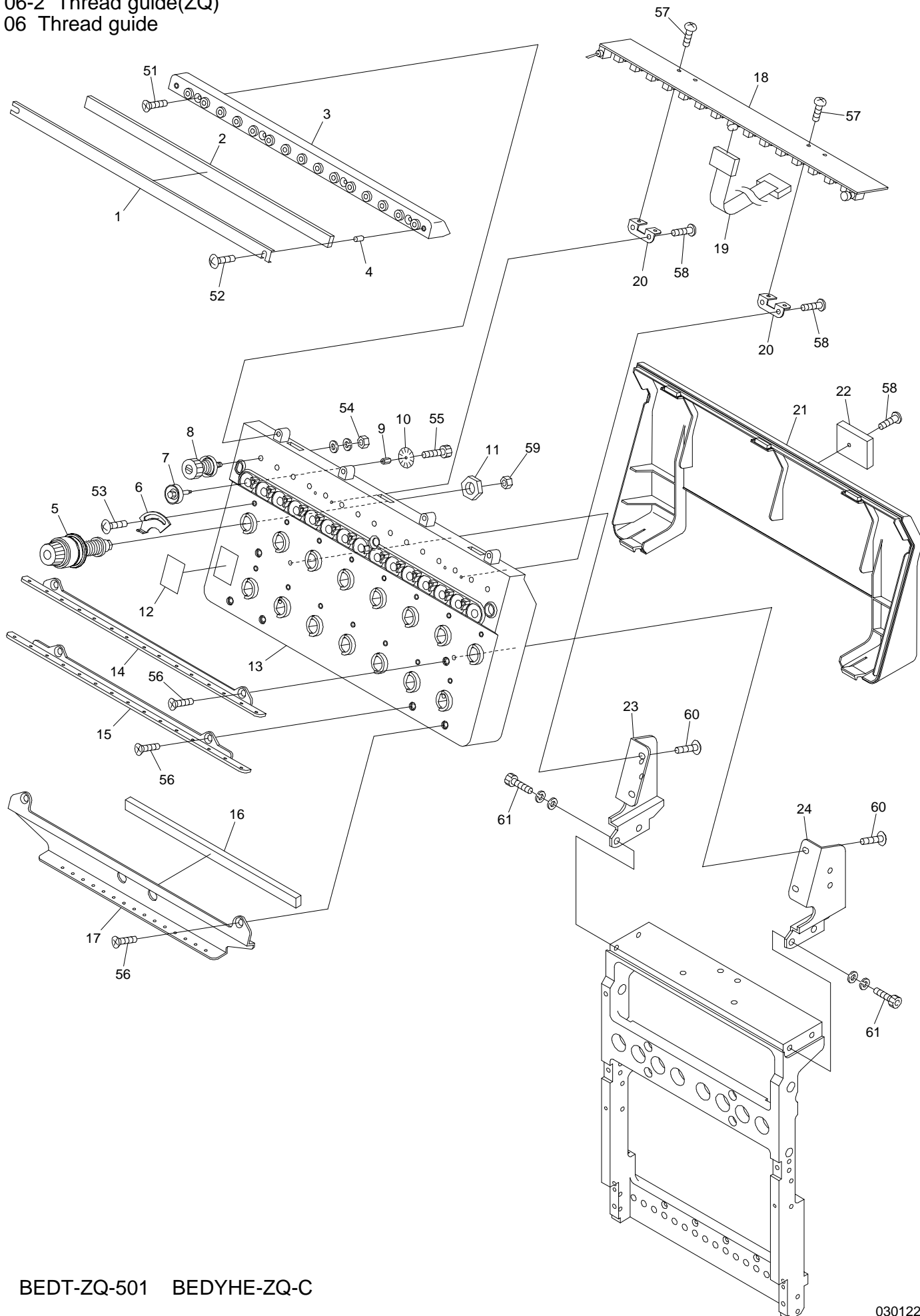
06-1 Thread guide(Z12)  
 06 Thread guide



From the library of: Diamond Needle Corp



06-2 Thread guide(ZQ)  
06 Thread guide

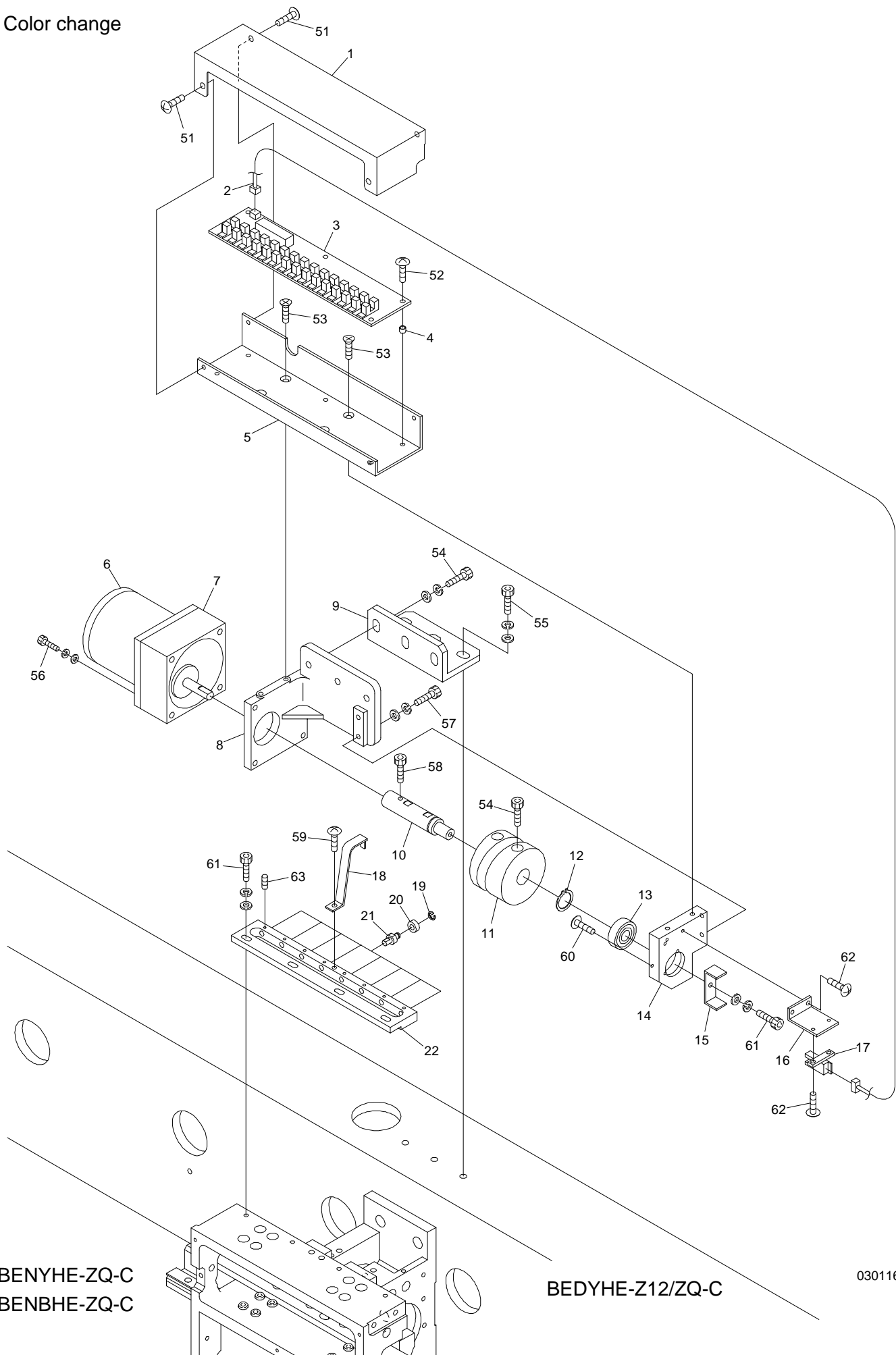


From the library of: Diamond Needle Corp





# 7 Color change



From the library of: Diamond Needle Corp

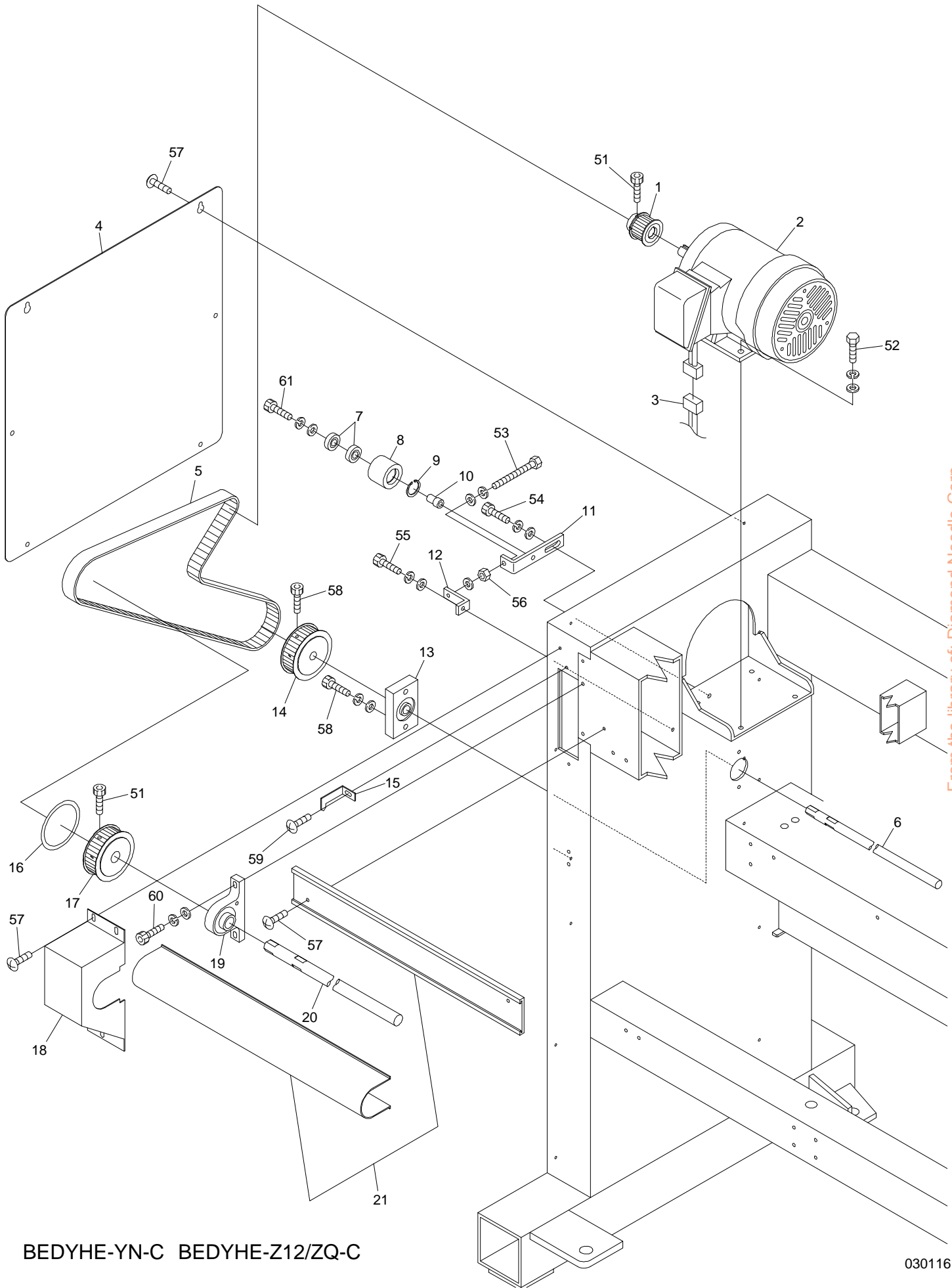
BENYHE-ZQ-C  
BENBHE-ZQ-C

BEDYHE-Z12/ZQ-C

030116



08-1 Drive(2T/4T)

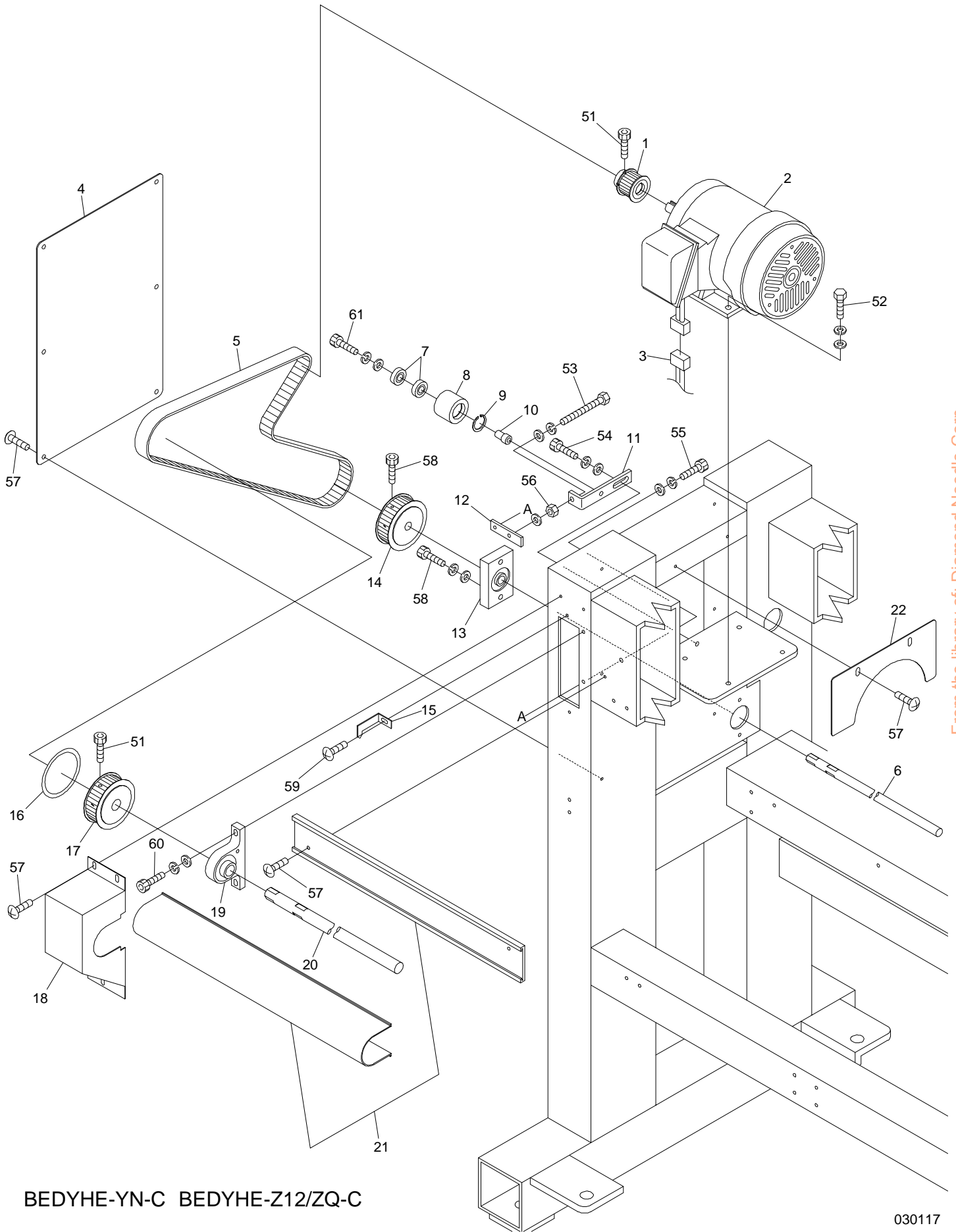


From the library of: Diamond Needle Corp

## 08-1 DRIVE (2T/4T)

ITEM	LIST NO.	DESCRIPTION	Q'TY	NOTE
1	SC481370	Motor pulley(S5M-26,0.2kw)	1	2T
	RP310170	Motor pulley(S5M-26)	1	4T
2	RA310380	Main motor 1K-FCKL8-4P-0.2kw(ETL)	1	2T
	RP310201	Main motor IK-FBKK8-4P-0.55kw VF3(ETL)	1	4T
3	A9053081	Motor cable 1.25x4x5m		
4	SJ160030	Frame upper cover	2	
5	A9020180	Timing belt B250S5M1420	1	
6	SC310130	Lower shaft 15(For 2T)	1	2T
	SC310110	Lower shaft 15(For 4T)	1	4T
7	A9010003	Bearing 6001ZZ	2	
8	RQ310000	Idler	1	
9	A9012063	C-ring(For hole 28)	1	
10	SC310021	Idler shaft	1	
11	SC310030	Idler bracket	1	
12	SC310150	Tension bracket	1	
13	SC310061	Lower shaft housing	1	
14	SC310010	15 lower shaft timing pulley(S5M-52)	1	
15	SC310050	Angle instructions plate	1	
16	SC310100	Rotary angle label	1	
17	SC310000	20 upper shaft timing pulley(S5M-52)	1	
18	SJ250041	Pulley box(DYHE)	1	
19	SC310070	Upper shaft housing	1	
20	SC310140	Upper shaft 20(For 2T)	1	2T
	SC310120	Upper shaft 20(For 4T)	1	4T
21	SJ130021	Shaft mogol & cover L(YN,P=520) DYHE	1	DYHE Left side
	SJ130030	Shaft mogol & cover C(YN,P=520) DYHE	1	DYHE Between heads 2T
			3	DYHE Between heads 4T
	SJ130040	Shaft mogol & cover R(YN,P=520) DYHE	1	DYHE Right side
	SJ130070	Shaft mogol & cover(P=520) DYHE-C	1	DYHE-C(P=520)
	SJ130080	Shaft mogol & cover(P=380) DYHE-C	1	DYHE-C(P=380)
51		Hex.socket bolt M6x15(Black)		
52		Hex.bolt M8x20		
53		Hex.bolt M6x60(Full screw)		
54		Hex.socket bolt M8x20(Black)		
55		Hex.socket bolt M6x15(Uni chrome)		
56		Hex.nut M6		
57		Truss screw M5x10		
58		Hex.socket bolt M5x8		
59		Truss screw M5x6		
60		Hex.socket bolt M6x18(Black)		
61		Hex.socket bolt M8x35(Black)		

08-2 Drive(6T)



From the library of: Diamond Needle Corp

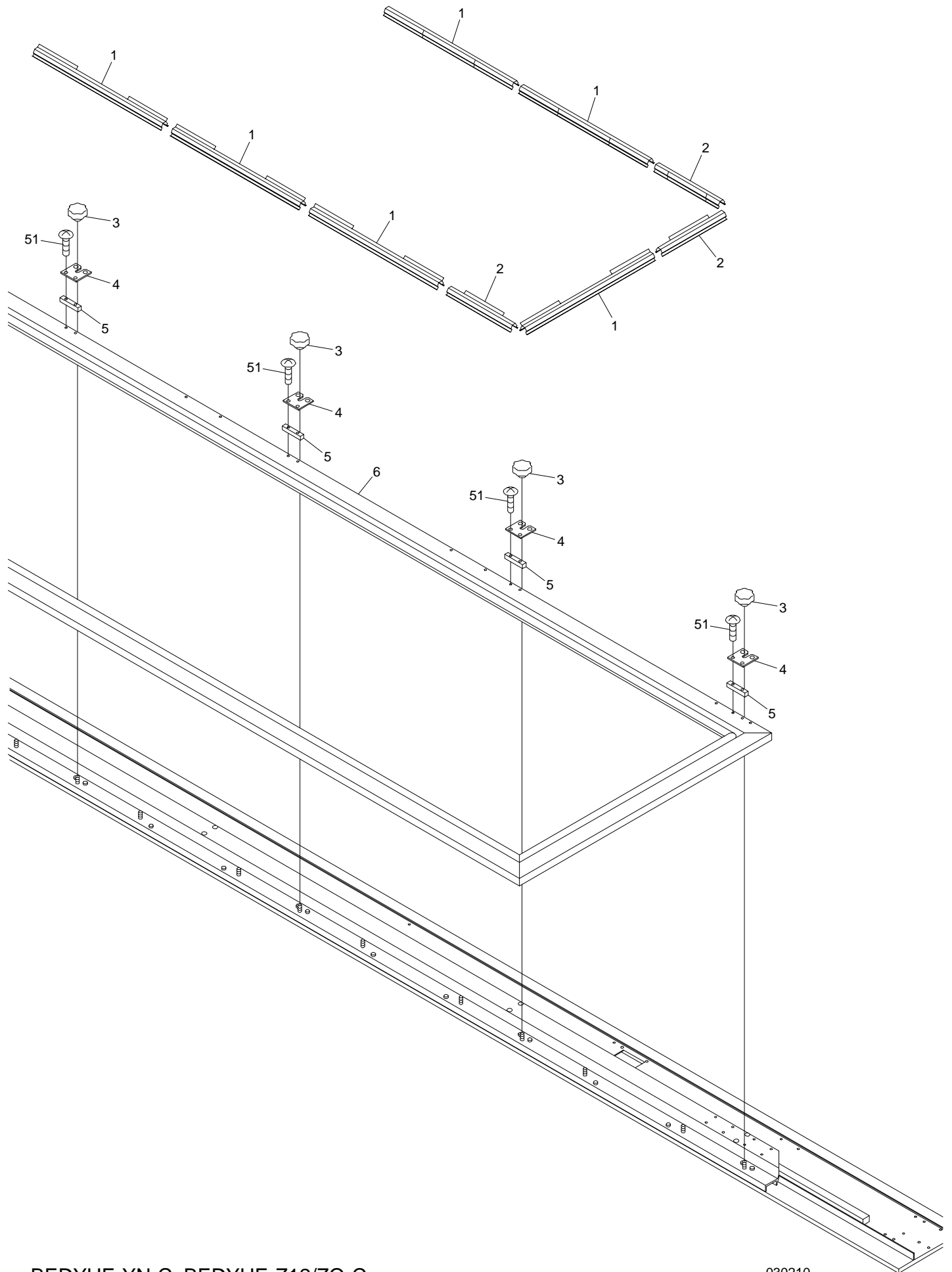
BEDYHE-YN-C BEDYHE-Z12/ZQ-C

030117

08-2 DRIVE (6T)

ITEM	LIST NO.	DESCRIPTION	Q'TY	NOTE
1	RP310170	Motor pulley(S5M-26)	1	
2	RP310201	Main motor IK-FBKK8-4P-0.55kw VF3(ETL)	1	
3	A9053081	Motor cable 1.25x4x5m		
4	SC160040	Stand cover	2	
5	A9020180	Timing belt B250S5M1420	1	
6	SC310080	Lower shaft 15	1	
7	A9010003	Bearing 6001ZZ	2	
8	RQ310000	Idler	1	
9	A9012063	C-ring(For hole 28)	1	
10	SC310021	Idler shaft	1	
11	SC310030	Idler bracket	1	
12	SC310040	Tension plate	1	
13	SC310061	Lower shaft housing	1	
14	SC310010	15 lower shaft timing pulley(S5M-52)	1	
15	SC310050	Angle instructions plate	1	
16	SC310100	Rotary angle label	1	
17	SC310000	20 upper shaft timing pulley(S5M-52)	1	
18	SJ250041	Pulley box(DYHE)	1	
19	SC310070	Upper shaft housing	1	
20	SC310090	Upper shaft 20	1	
21	SJ130021	Shaft mogol & cover L(YN,P=520)	1	DYHE Left side
	SJ130030	Shaft mogol & cover C(YN,P=520)	5	DYHE Between heads
	SJ130040	Shaft mogol & cover R(YN,P=520)	1	DYHE Right side
	SJ130070	Shaft mogol & cover(P=520) DYHE-C	1	DYHE-C(P=520)
	SJ130080	Shaft mogol & cover(P=380) DYHE-C	1	DYHE-C(P=380)
22	SC250010	Drive motor cover	1	NYHE
	SJ250080	Drive motor cover(DYHE)	1	DYHE
51		Hex.socket bolt M6x15(Black)		
52		Hex.bolt M8x20		
53		Hex.bolt M6x60(Full screw)		
54		Hex.socket bolt M8x20(Black)		
55		Hex.socket bolt M6x15(Uni chrome)		
56		Hex.nut M6		
57		Truss screw M5x10		
58		Hex.socket bolt M5x8		
59		Truss screw M5x6		
60		Hex.socket bolt M6x18(Black)		
61		Hex.socket bolt M8x35(Black)		

# 10A Pantograph drive A

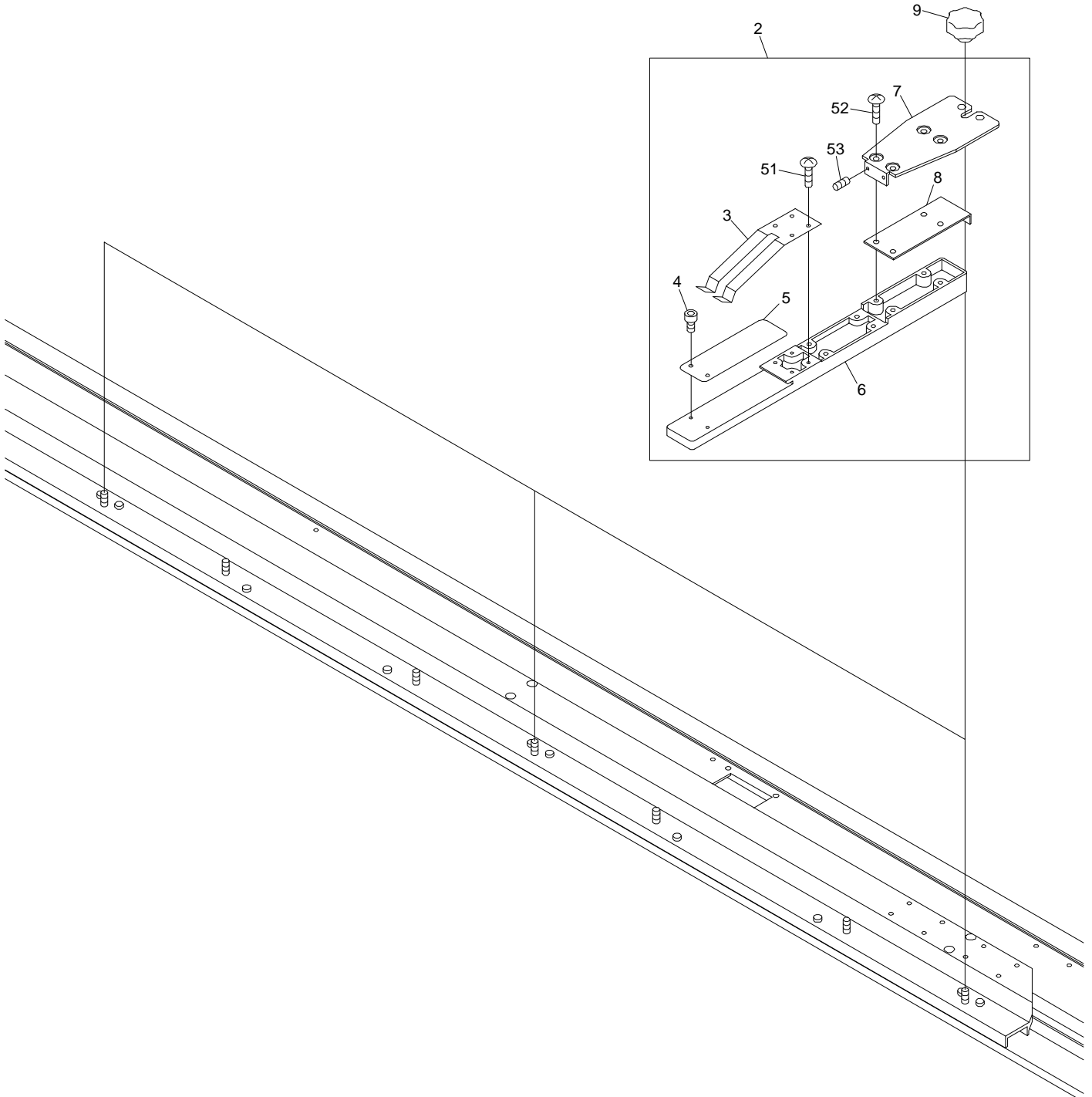
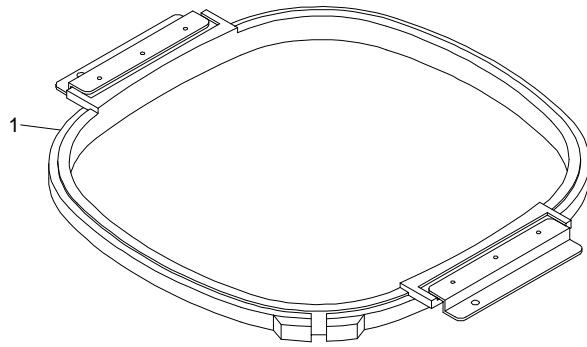


From the library of: Diamond Needle Corp





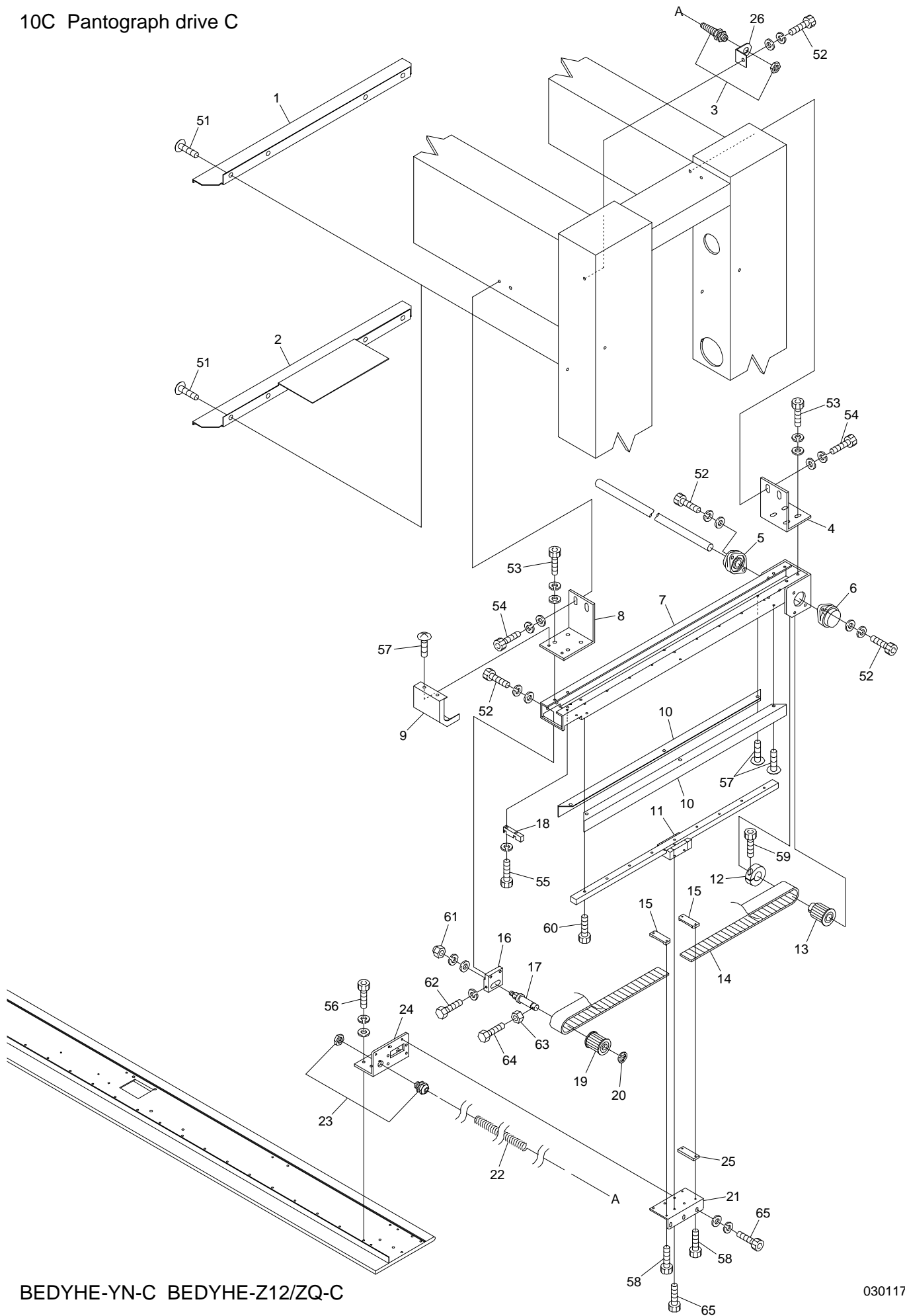
10B Pantograph drive B



From the library of: Diamond Needle Corp



# 10C Pantograph drive C



BEDYHE-YN-C BEDYHE-Z12/ZQ-C

030117

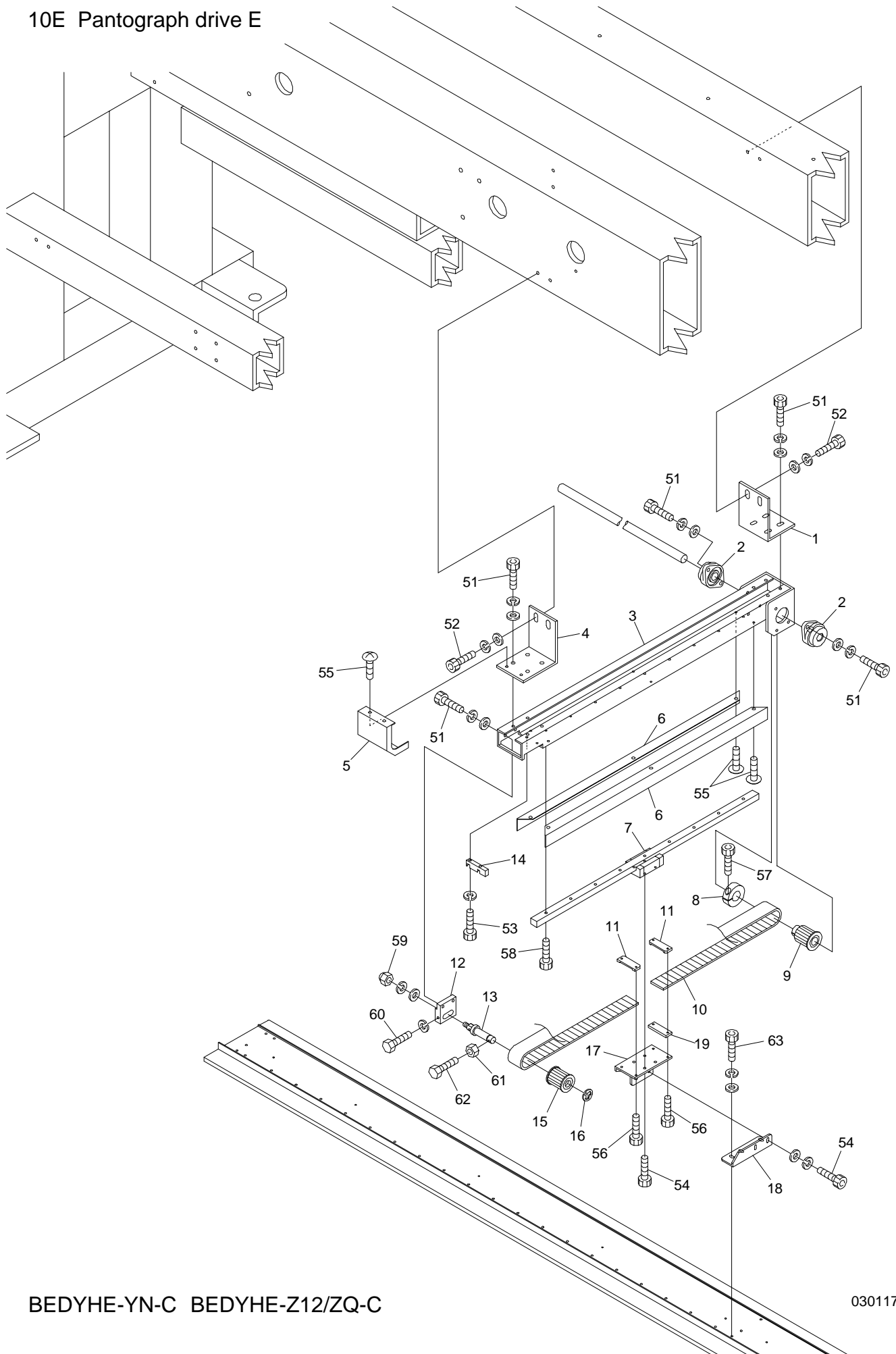
10C PANTOGRAPH DRIVE C

ITEM	LIST NO.	DESCRIPTION	Q'TY	NOTE
1	SJ250060	V-spline cover(DYHE)	1	2T,4T
2	SJ250090	V-spline cover(DYHE) for 6-8 heads	1	6T
3	A9068030	Bushing NW-7RP	1	
4	SC480330	H-rail base fixed stay(Rear)	1	
5	A9011243	Bearing unit(UFL002C)	1	
6	A9011244	Bearing unit(UFL002D)	1	
7	SJ480010	H-rail base(ST=450) DYHE	1	
8	SC480210	H-rail base fixed stay(Front)	1	
9	SC250040	H-rail front cover	1	
10	SC250070	H-rail side cover	2	
11	SC480040	LM guide(540L)	1	
12	HH481980	19 clamp	1	
13	SJ480000	Pantograph drive pulley(16 tooth)	1	
14	SC480020	Timing belt MA5	1	
15	HP482940	Timing belt set rack(5M)	2	
16	SJ480080	Pulley bracket	1	
17	HH481991	Timing pulley shaft	1	
18	RP480200	Pulley stopper	1	
19	SC480010	Pantograph drive pulley(Front)	1	
20	A9012052	E-ring(10)	1	
21	SC480120	Guide base(R)	1	
22	A9068049	Curl cord(Compact machine)	1	
23	A9068050	Super seal(NW-7R)	1	
24	SC480080	Guide stay(R)	1	
25	SJ480020	Rack spacer	1	
26	SC480290	Electrical bracket	1	
51		Truss screw M6x10		
52		Hex.socket bolt M6x15(Uni chrome)		
53		Hex.socket bolt M5x15(Uni chrome)		
54		Hex.socket bolt M6x20(Uni chrome)		
55		Hex.socket bolt M4x10(With spring washer)		
56		Hex.socket bolt M4x12(Uni chrome)		
57		Truss screw M4x6(Uni chrome)		
58		Hex.socket bolt M3x15(Black)		
59		Hex.socket bolt M5x20(Black)		
60		Hex.socket bolt M4x10(Black)		
61		Hex.cap nut M8(Uni chrome)		
62		Hex.bolt M4x30(Uni chrome)		
63		Hex.nut M4		
64		Hex.bolt M4x40(Uni chrome)		
65		Hex.socket bolt M4x10(Uni chrome)		





# 10E Pantograph drive E

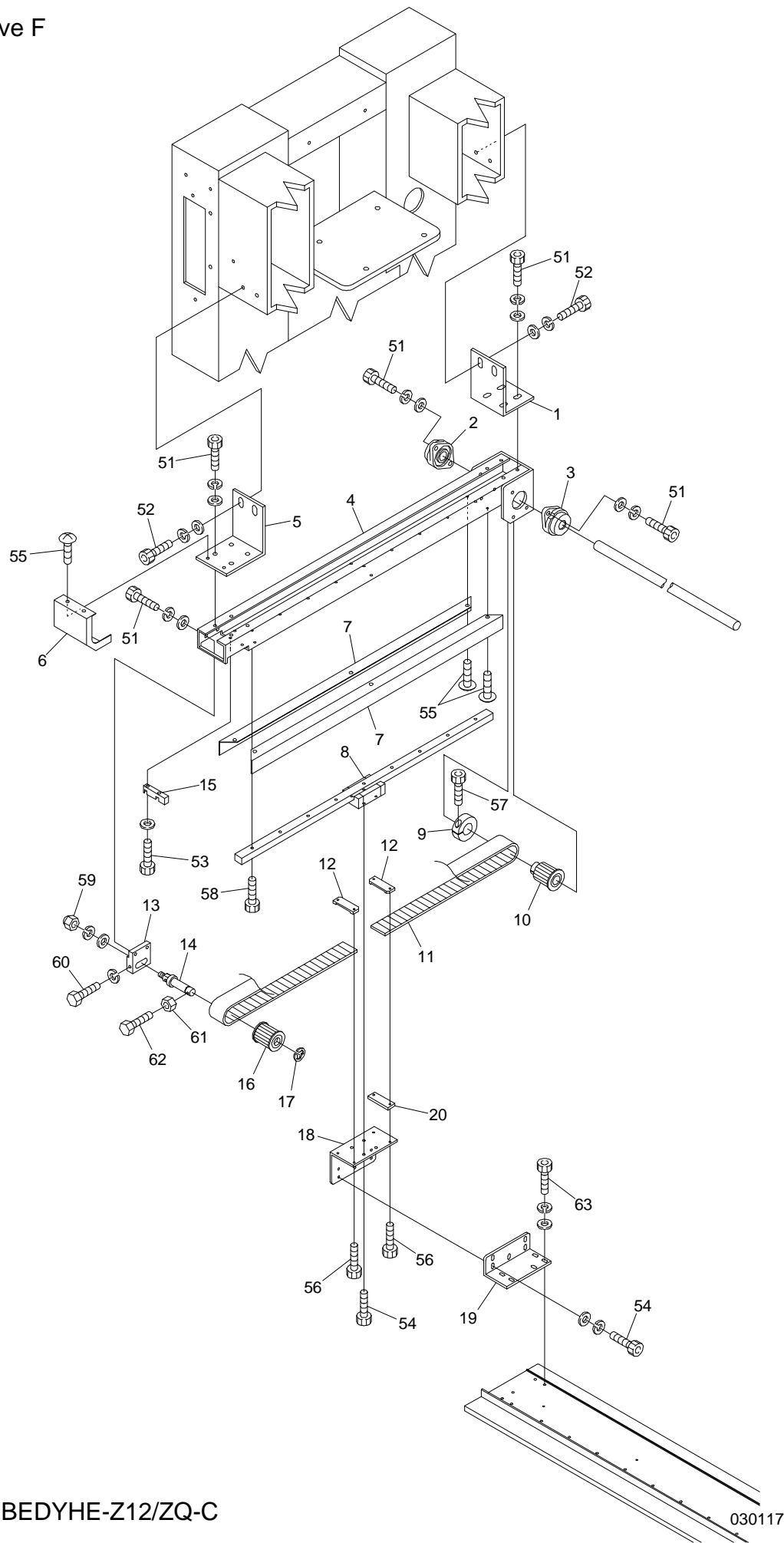


From the library of: Diamond Needle Corp





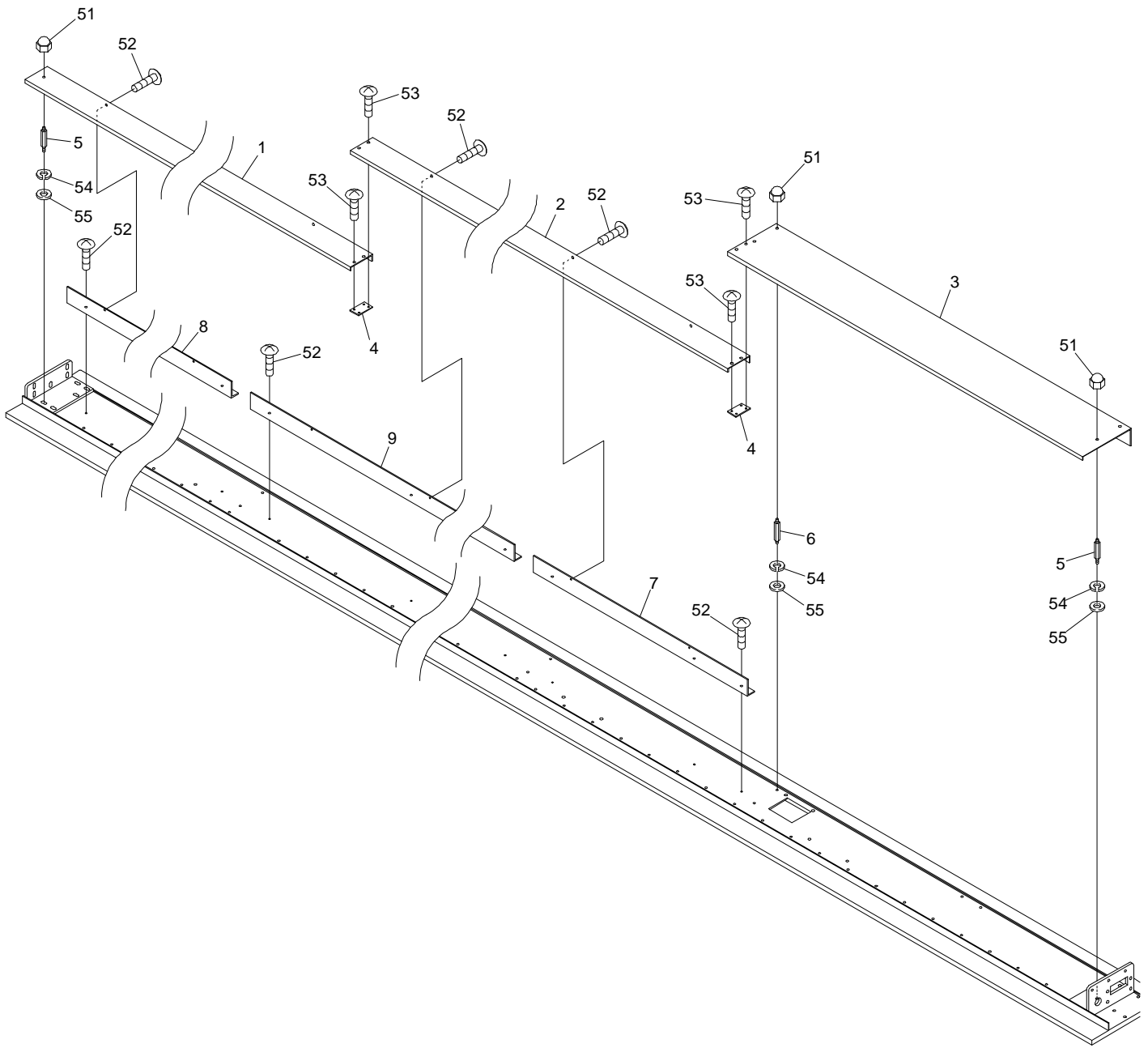
# 10F Pantograph drive F



From the library of: Diamond Needle Corp



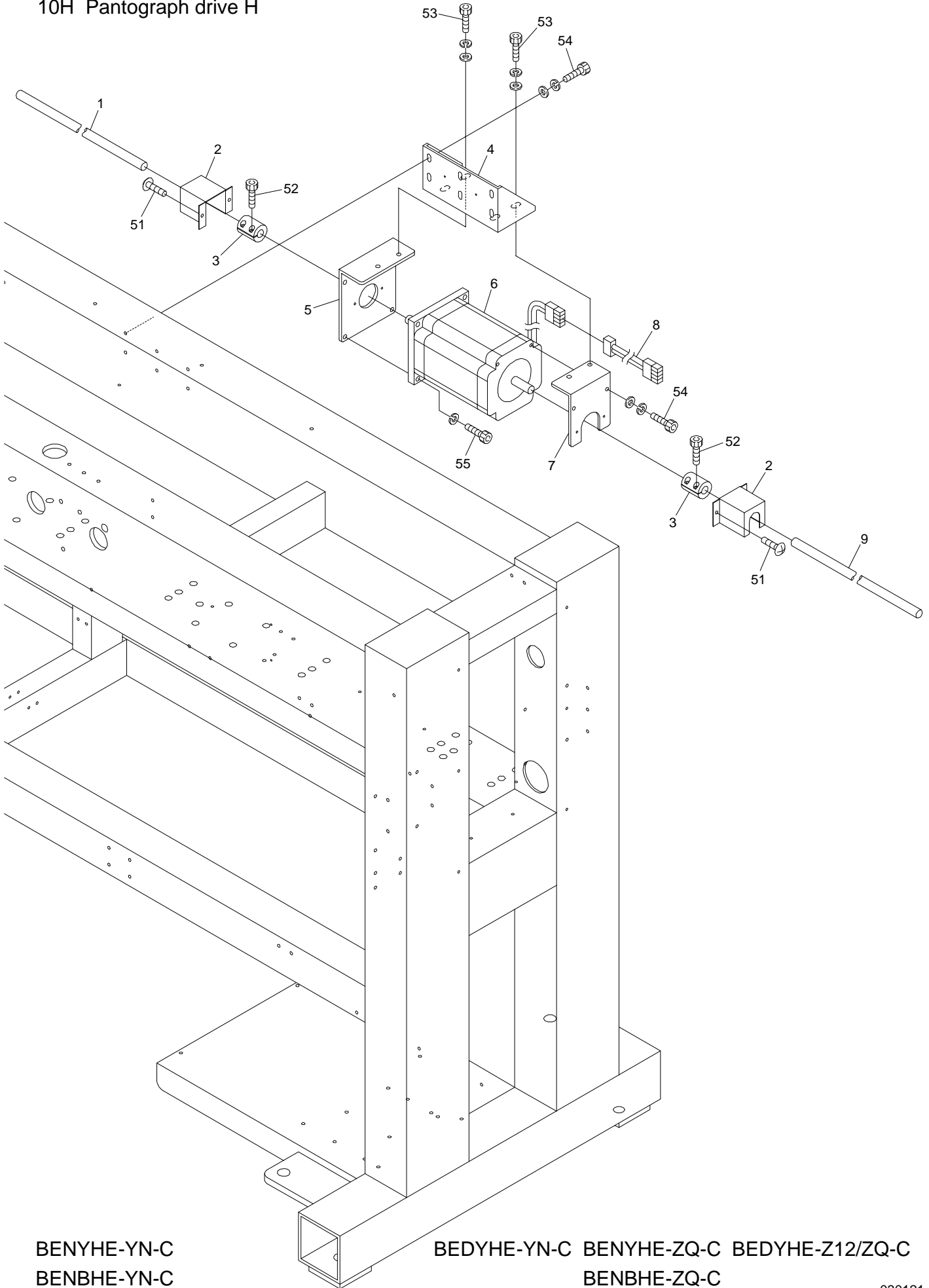
# 10G Pantograph drive G



From the library of: Diamond Needle Corp



# 10H Pantograph drive H



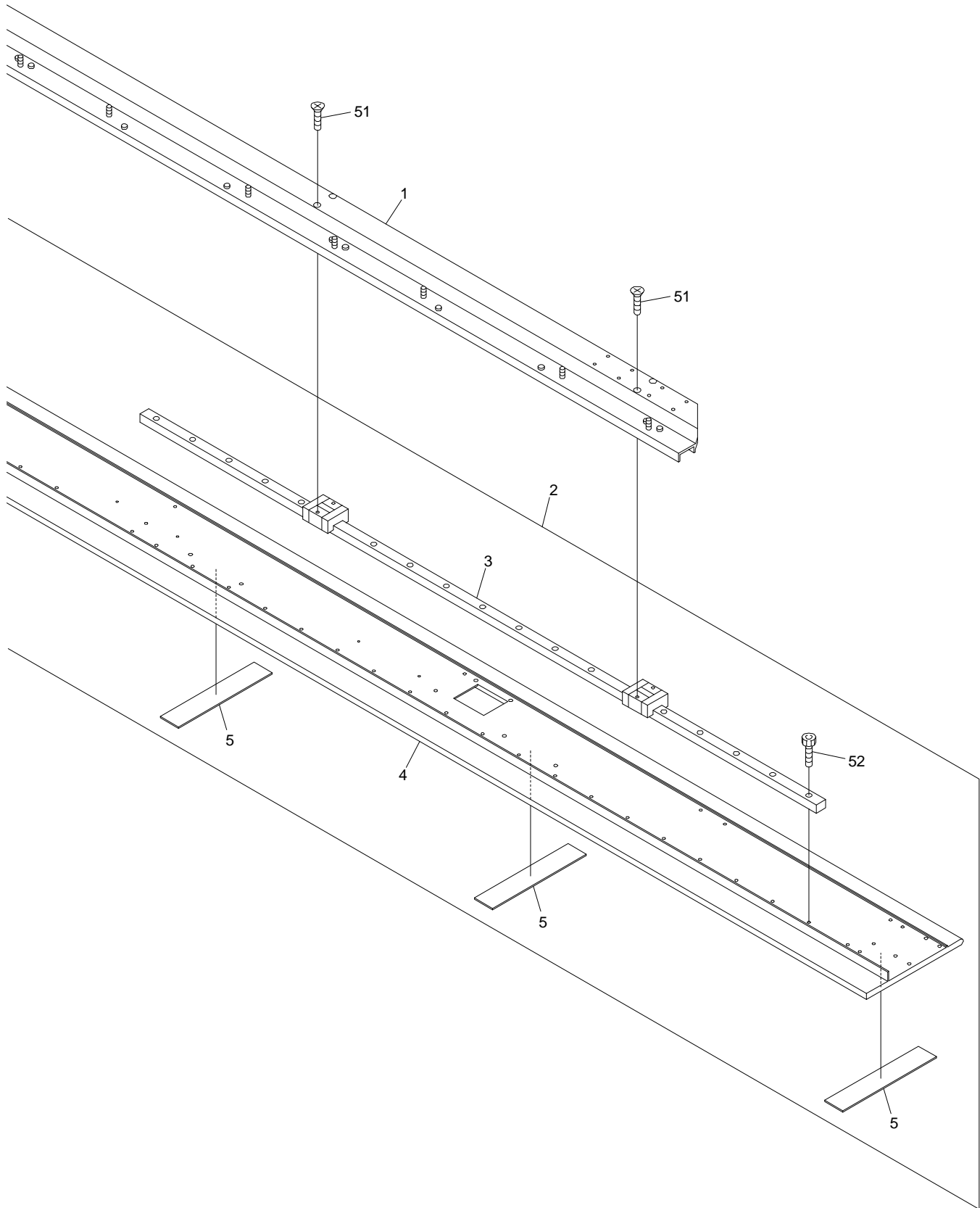
From the library of: Diamond Needle Corp

BENYHE-YN-C  
BENBHE-YN-C

BEDYHE-YN-C BENYHE-ZQ-C BEDYHE-Z12/ZQ-C  
BENBHE-ZQ-C



# 10l Pantograph drive I

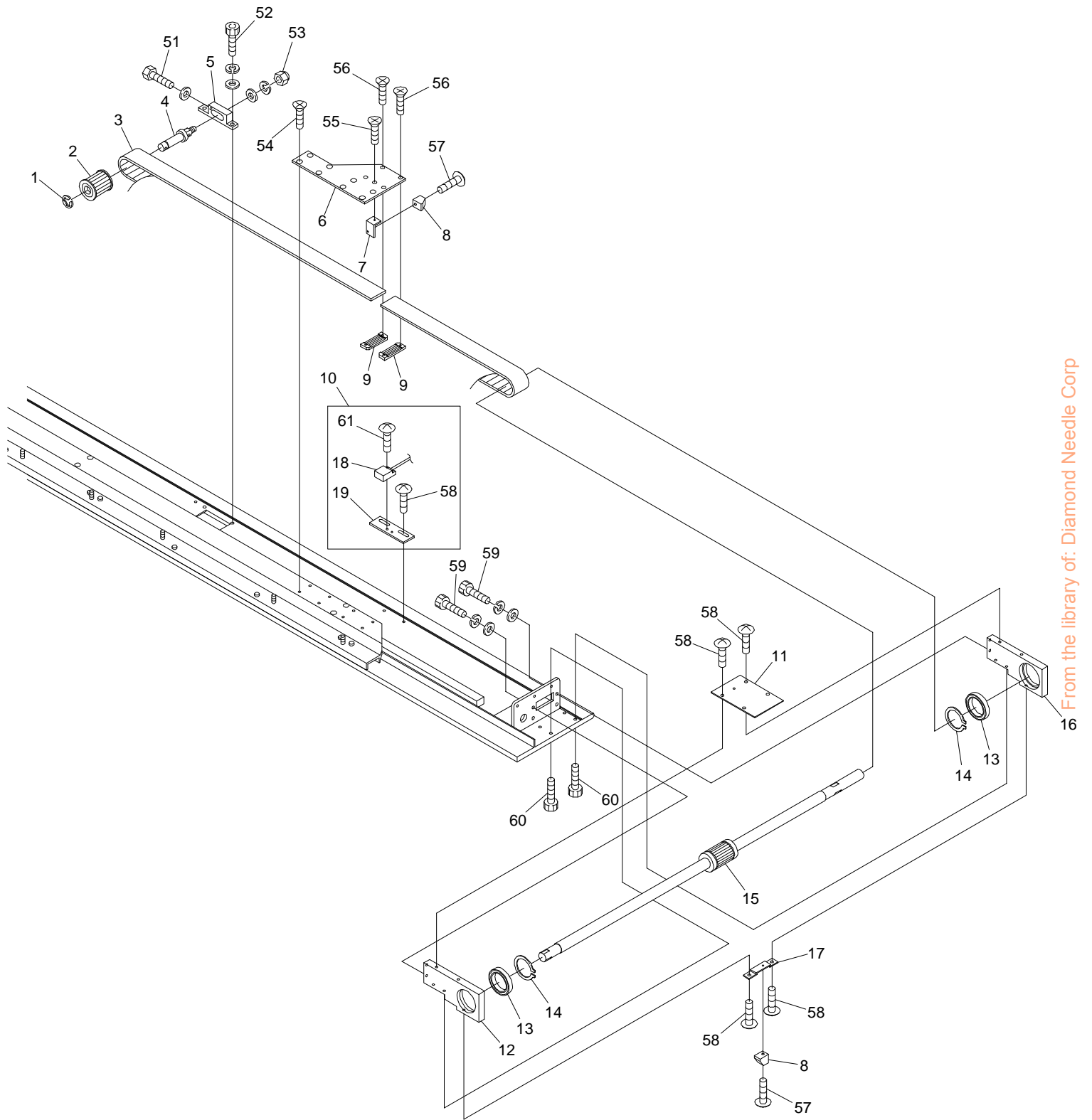


From the library of: Diamond Needle Corp





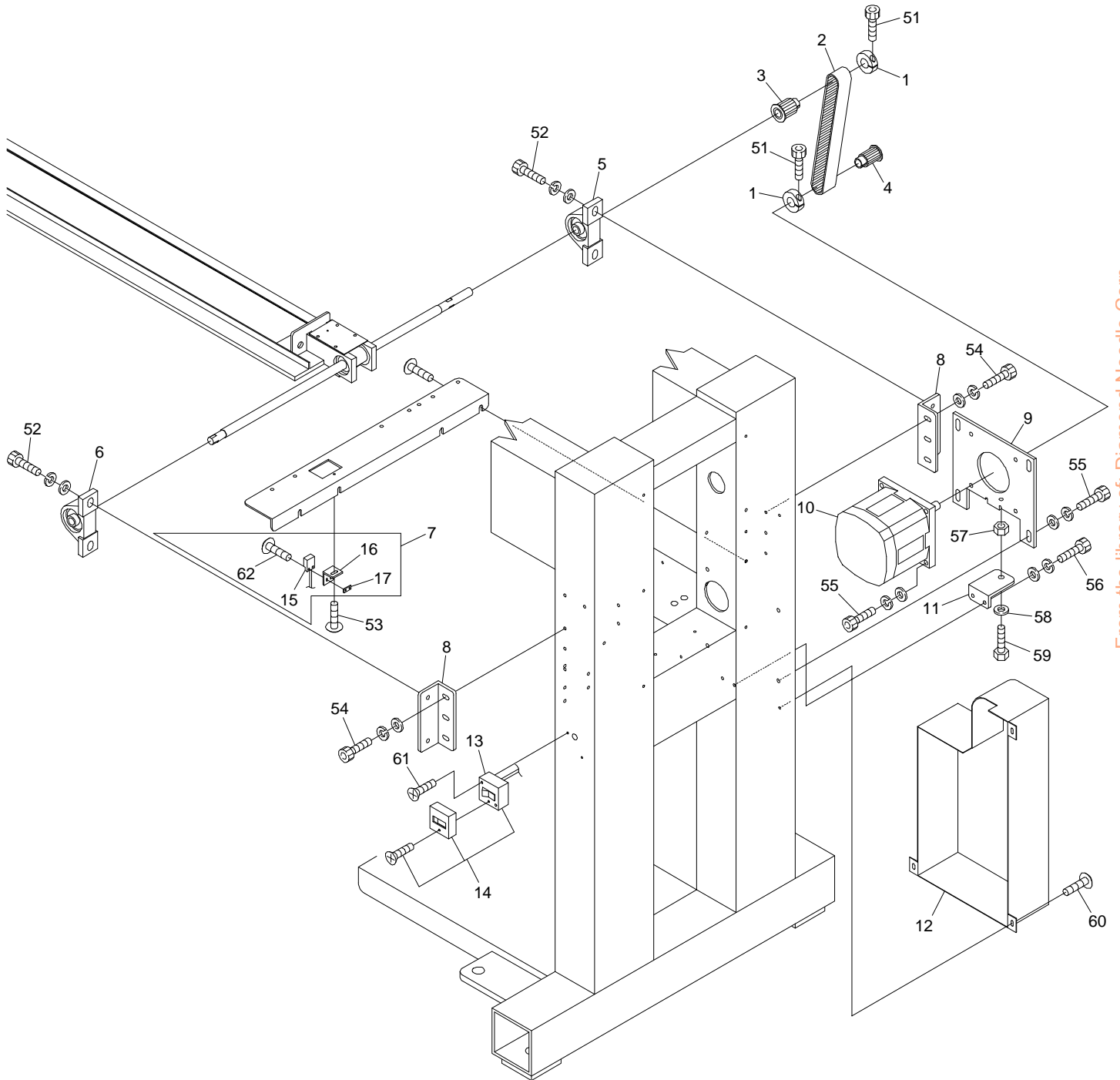
# 10J Pantograph drive J



From the library of: Diamond Needle Corp



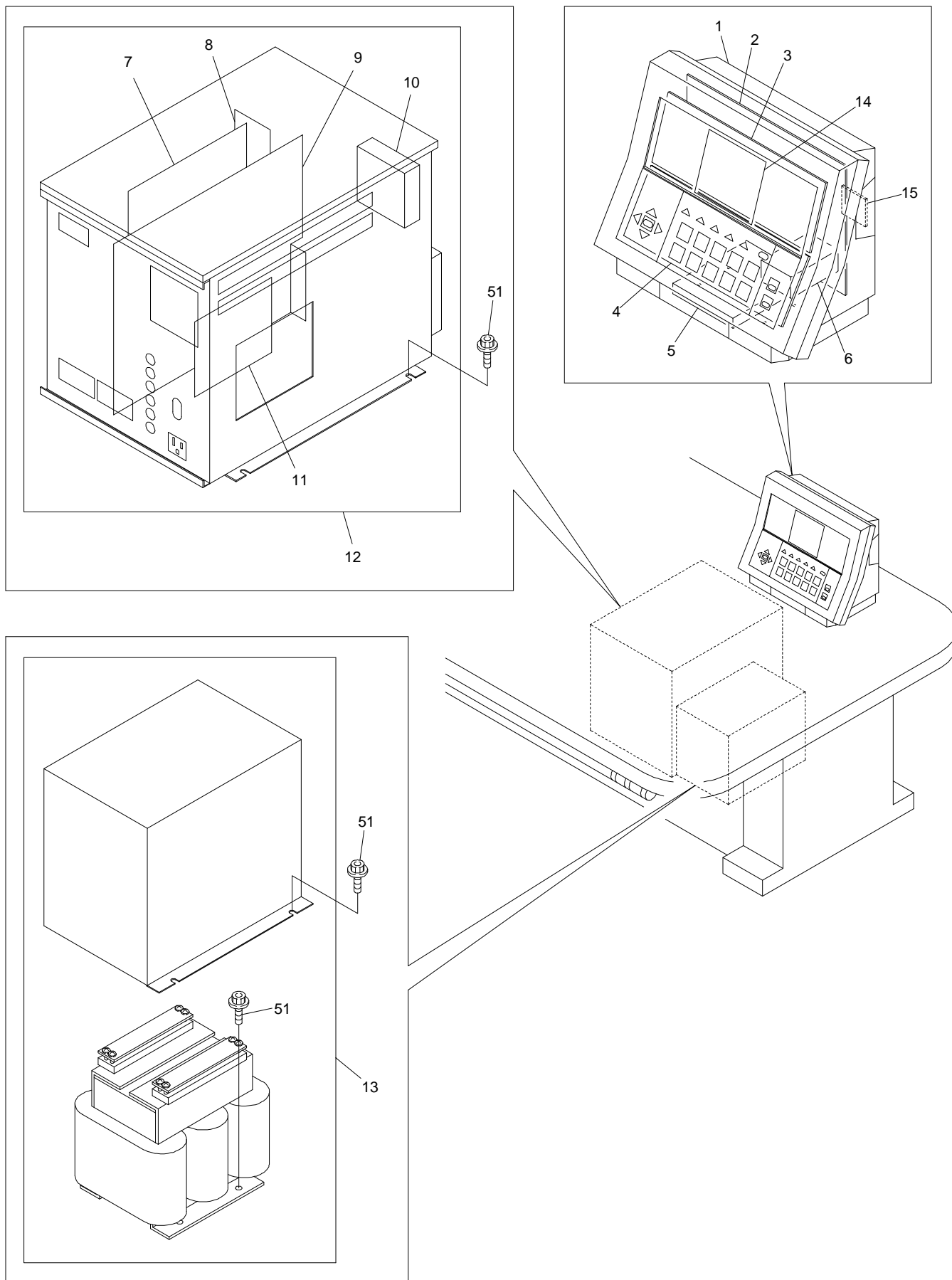
# 10K Pantograph drive K



From the library of: Diamond Needle Corp



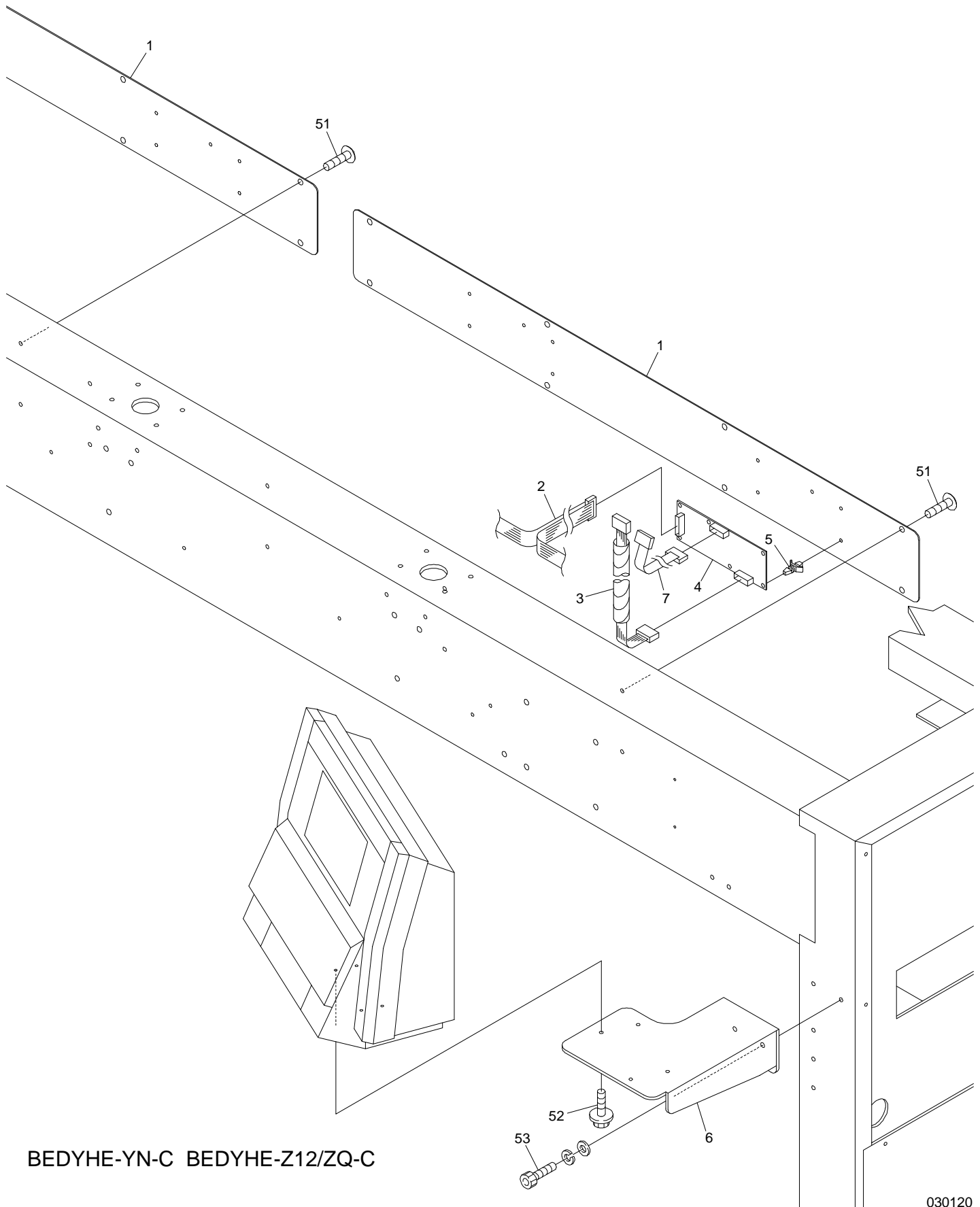
# 11A Control A



From the library of: Diamond Needle Corp



11B-1 Control B(2T/4T)



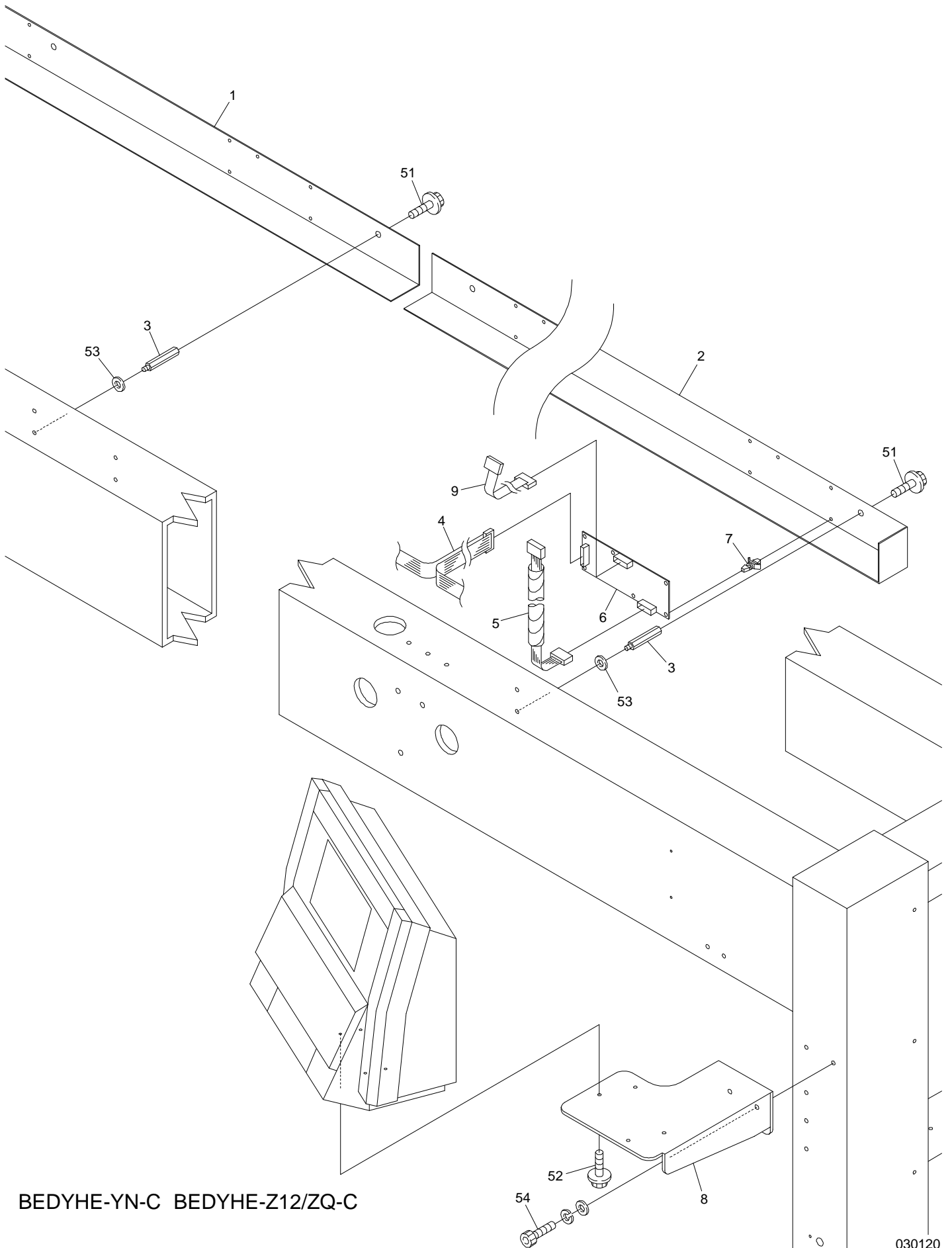
From the library of: Diamond Needle Corp

BEDYHE-YN-C BEDYHE-Z12/ZQ-C





11B-2 Control B(6T)

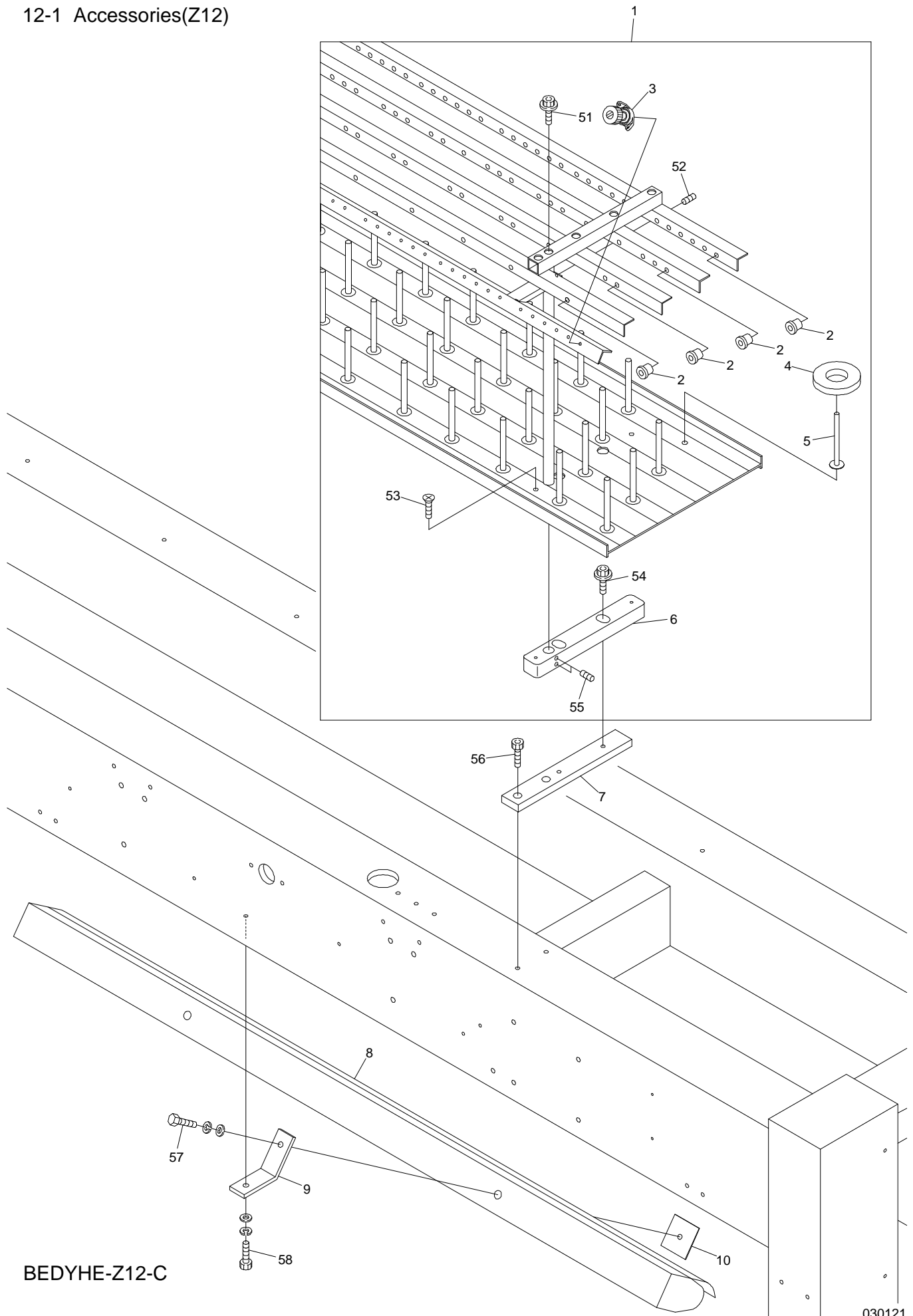


From the library of: Diamond Needle Corp

BEDYHE-YN-C BEDYHE-Z12/ZQ-C



12-1 Accessories(Z12)

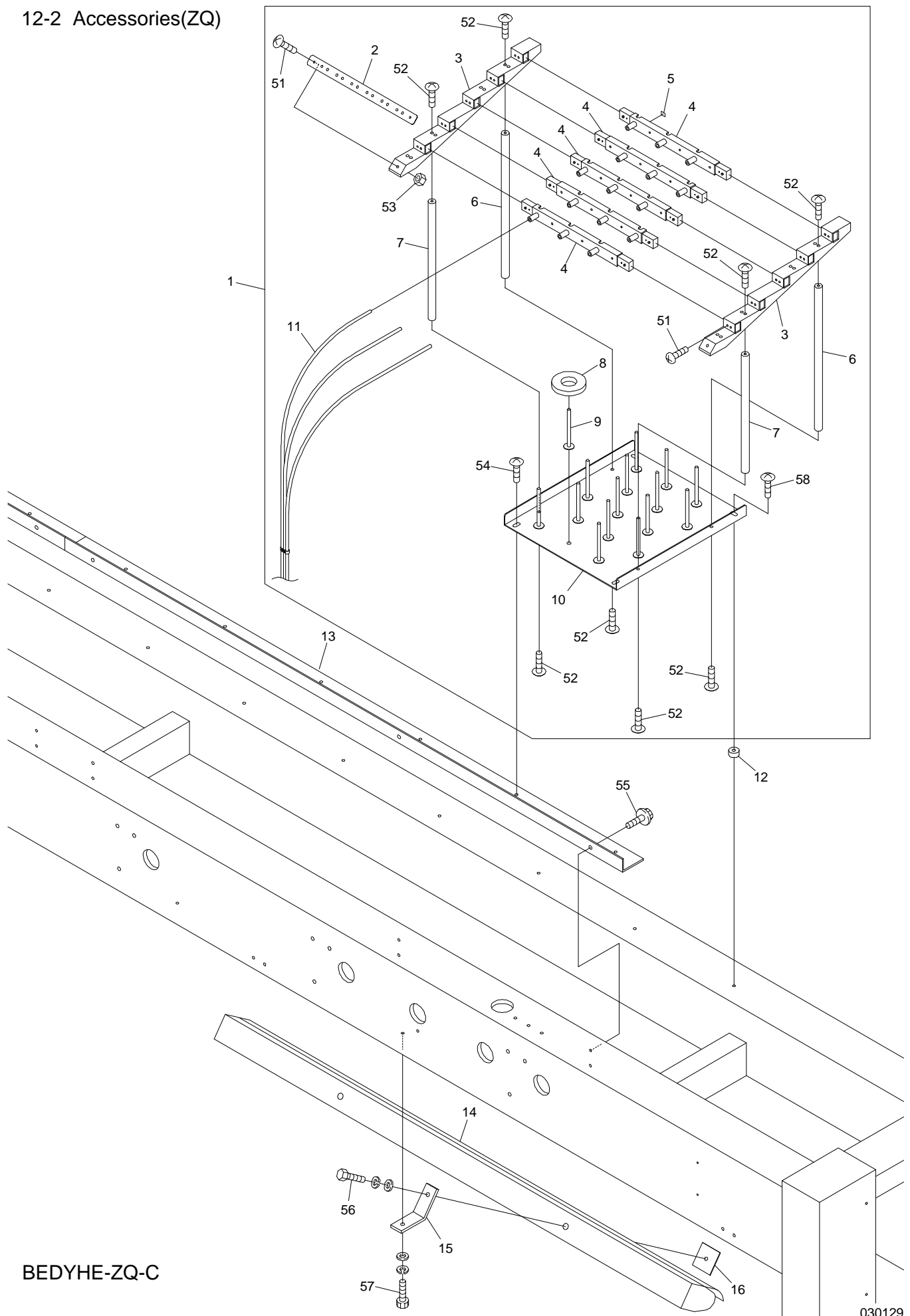


From the library of: Diamond Needle Corp

BEDYHE-Z12-C



# 12-2 Accessories(ZQ)



BEDYHE-ZQ-C

From the library of: Diamond Needle Corp



## INDEX

LIST No.	SECTION No.	ITEM	LIST No.	SECTION No.	ITEM
2CSJ1206520	12-1	1	A9014162	00A-2	11
A9010003	08-1	7	A9014163	00A-1	12
A9010003	08-2	7	A9014163	00A-2	12
A9010061	10J	13	A9014163	00B	16
A9010062	07	13	A9014166	04C	15
A9010063	07	20	A9014167	04A-1	21
A9010065	04B	30	A9014167	04A-2	26
A9010073	03	21	A9014168	04D	12
A9011111	01A	14	A9019049	00A-1	15
A9011128	10K	5	A9019049	00A-2	15
A9011173	02A	22	A9020180	08-1	5
A9011242	10K	6	A9020180	08-2	5
A9011243	10C	5	A9020211	10K	2
A9011243	10D	2	A9052028	02C	3
A9011243	10E	2	A9052029	10K	14
A9011243	10F	3	A9052030	10J	8
A9011244	10C	6	A9052031	10J	18
A9011244	10F	2	A9052031	10K	15
A9012002	02B	8	A9052078	02B	4
A9012027	01A	25	A9052080	04E	8
A9012052	10C	20	A9052081	04E	6
A9012052	10D	16	A9053079	07	2
A9012052	10E	16	A9053081	08-1	3
A9012052	10F	17	A9053081	08-2	3
A9012052	10J	1	A9053082	02B	33
A9012063	08-1	9	A9054040	02B	1
A9012063	08-2	9	A9054054	11A	15
A9012068	07	12	A9056030	02A	17
A9012127	04B	7	A9056036	05	1
A9012127	04C	18	A9056037	04C	22
A9012127	07	19	A9056038	02C	1
A9012208	07	4	A9060063	07	17
A9012368	04B	21	A9065092	02B	13
A9012401	10J	14	A9065092	07	6
A9012415	04B	26	A9065093	02B	33
A9012421	03	22	A9065093	07	7
A9012437	10A	3	A9068030	10C	3
A9012437	10B	9	A9068032	06-1	21
A9012438	06-2	4	A9068032	06-2	22
A9013066	02A	8	A9068048	11B-1	5
A9013070	00B	6	A9068048	11B-2	7
A9014059	01A	7	A9068049	10C	22
A9014161	00A-1	7	A9068050	10C	23
A9014161	00A-2	7	EAY052A3	11A	13
A9014162	00A-1	11	EAY053A0	10H	8



## INDEX

LIST No.	SECTION No.	ITEM	LIST No.	SECTION No.	ITEM
EAY054A1	11A	1	HB710020	12-2	16
EAY068A2	11A	12	HH481931	10H	3
EAY074A3	11A	13	HH481980	10C	12
EBY01620	11A	7	HH481980	10D	8
EBY01625	06-2	19	HH481980	10E	8
EBY01625	11B-1	7	HH481980	10F	9
EBY01625	11B-2	9	HH481980	10K	1
EBY01627	06-1	16	HH481991	10C	17
EBY01650	07	3	HH481991	10D	13
EBY01663	11B-1	4	HH481991	10E	13
EBY01663	11B-2	6	HH481991	10F	14
EBY02230	11A	8	HM140120	00B	8
EBY02250	11A	11	HM270000	02A	25
EBY02330	11A	2	HM270010	02B	6
EBY02340	11A	4	HP241430	12-1	3
EBY02350	11A	3	HP321090	01A	13
EBY02440	11A	5	HP321710	01B	5
EBY02450	11A	14	HP321720	01B	1
EBY02460	11A	6	HP482940	10C	15
EBY02600	06-1	15	HP482940	10D	11
EBY02610	06-2	18	HP482940	10E	11
EBY02700	11A	9	HP482940	10F	12
FA904147	11A	10	HP482940	10J	9
FN070011SNY	04A-1	15	HS210020	01A	1
FN070011SNY	04A-2	14	HS210021	01A	1
FR92300290A380A	10B	1	HS210031	01A	24
FR92460434A520S	10B	1	HS210042	01A	11
HB230070	03	24	HS210051	02A	13
HB230080	03	23	HS210060	02A	18
HB230200	04B	11	HS210070	02A	16
HB230220	04C	9	HS210080	02A	21
HB230261	04C	8	HS210090	02A	23
HB230271	04C	3	HS210100	02A	12
HB230281	04C	6	HS210111	02A	10
HB230361	04C	5	HS210121	02A	11
HB230620	03	26	HS210142	02A	14
HB230650	03	7	HS210300	02A	14
HB230800	03	10	HS220010	01A	4
HB240020	05	7	HS270030	02B	2
HB240030	05	8	HS270070	02B	31
HB240041	05	9	HS270110	02B	15
HB560060	05	11	HT220061	01A	5
HB560080	05	10	HT230120	04A-1	11
HB560211	05	12	HT230120	04A-2	10
HB710020	12-1	10	HT230220	05	4

## INDEX

LIST No.	SECTION ?	ITEM	LIST No.	SECTION ?	ITEM
HT230263	04A-1	7	KC330510	02B	9
HT230263	04A-2	6	KF220230	01A	3
HT230280	04B	24	KF220240	01A	20
HT230290	04B	19	KF220290	01A	2
HT230330	04A-1	6	KF220302	01A	23
HT230330	04A-2	5	KF220421	01A	22
HT230340	04B	18	KF220530	01A	22
HT230380	04C	12	KF220700	01A	21
HT230410	04C	7	KF221020	01A	23
HT230450	04B	9	KF221040	01A	21
HT230471	04B	4	KF230501	03	5
HT230480	04B	14	KF230530	04B	8
HT230491	04B	5	KF230680	03	6
HT230510	04B	12	KF230910	04A-1	10
HT230520	04B	20	KF230910	04A-2	9
HT230560	04B	25	KF710390	12-1	4
HT230590	04C	1	KF710390	12-2	8
HT230620	05	5	KF730750	10A	1
HT230730	04B	6	KF730760	10A	2
HT230750	04B	3	KL220140	01A	8
HT230760	04B	10	KL270091	02C	8
HT240101	06-1	14	KL270101	02C	9
HT240101	06-2	10	KL270120	02C	11
HT240180	06-1	18	KL270131	02C	10
HT240180	06-2	11	KL270260	02C	2
HT240290	06-1	4	KL270450	02C	7
HT240290	06-2	7	KN271560	02A	24
HT240480	12-1	2	KN271750	02B	7
HT240490	12-1	2	KN271782	02B	5
HT270063	04E	14	KN272010	02A	9
HT270181	02A	3	KN272350	02B	17
HT710000	12-1	5	KN272401	02A	19
HT710000	12-2	9	KN272401	02C	5
HV480060	10H	6	KN511020	01B	3
HV710010	12-1	8	KN540510	06-1	13
HV710010	12-2	14	KN540510	06-2	9
HV710020	12-1	8	KV230040	04A-1	5
HV710020	12-2	14	KV230040	04A-2	4
KA480010	10H	6	KW710060	10K	13
KC250482	01A	19	KW710070	10K	13
KC270101	04C	21	KX230071	04B	2
KC271001	02A	15	KX230141	04A-1	18
KC271940	02A	20	KX230141	04A-2	23
KC330180	02B	3	KX230152	04A-1	17
KC330410	02B	10	KX230152	04A-2	22

## I N D E X

LIST No.	SECTION No.	ITEM	LIST No.	SECTION No.	ITEM
KX250080	01A	9	RH230311	03	3
KX250080	02A	2	RH230320	03	13
KX270000	02A	26	RH230330	03	30
KX270010	02A	6	RH230410	04A-1	4
KX270070	02C	12	RH230410	04A-2	3
KX270430	02A	27	RH230440	04A-1	12
KX510140	04E	7	RH230440	04A-2	11
LA230080	04B	27	RH230450	04A-1	14
LA230140	04B	28	RH230450	04A-2	13
LA270080	02C	13	RH230460	04A-1	13
LA730590	10B	6	RH230460	04A-2	12
LA730610	10B	4	RH230540	04B	23
LA730630	10B	5	RH230550	04B	22
LA730650	10B	3	RH230610	03	11
RA310380	08-1	2	RH230801	03	2
RD230060	04A-2	18	RH230810	03	4
RD230130	03	9	RN230010	03	17
RD230201	04A-1	19	RN230020	03	19
RD230201	04A-2	24	RN230030	03	18
RD230250	05	6	RN230040	03	20
RD230370	04A-1	9	RP310170	08-1	1
RD230370	04A-2	8	RP310170	08-2	1
RD230480	04A-1	2	RP310201	08-1	2
RD230480	04A-2	1	RP310201	08-2	2
RD230490	04A-1	3	RP480200	10C	18
RD230490	04A-2	2	RP480200	10D	14
RD240090	06-1	22	RP480200	10E	14
RD240153	06-1	6	RP480200	10F	15
RD240154	06-2	5	RQ120080	00B	4
RD240271	04E	2	RQ310000	08-1	8
RD270020	02C	14	RQ310000	08-2	8
RD270040	02C	15	RR230080	04C	4
RD510030	11B-1	3	RR230090	04C	2
RD510030	11B-2	5	RR240300	06-1	3
RD710310	12-2	11	RR240300	06-2	8
RD710330	12-2	4	RR240330	06-1	17
RD710340	12-2	3	RR240330	06-2	20
RD710351	12-2	7	RR240390	06-1	7
RD710361	12-2	6	RR240390	06-2	12
RD710370	12-2	2	RR240510	06-1	5
RD710380	12-2	5	RR240510	06-2	6
RF450041	10K	17	RR320020	03	15
RH230271	03	29	RR320030	03	14
RH230280	03	28	RV230050	05	13
RH230300	03	27	RV230060	03	8

## INDEX

LIST No.	SECTION No.	ITEM	LIST No.	SECTION No.	ITEM
RV230070	03	1	SC250040	10D	5
RV240010	06-2	13	SC250040	10E	5
RV240020	06-2	3	SC250040	10F	6
RV240040	06-2	14	SC250070	10C	10
RV240050	06-2	15	SC250070	10D	6
RV240062	06-2	17	SC250070	10E	6
RV240071	06-2	24	SC250070	10F	7
RV240081	06-2	23	SC250080	01B	4
RV240091	06-2	16	SC310000	08-1	17
RV240100	06-2	1	SC310000	08-2	17
RV240110	06-2	2	SC310010	08-1	14
RV250070	04D	4	SC310010	08-2	14
SC120010	00B	7	SC310021	08-1	10
SC120030	00B	1	SC310021	08-2	10
SC120040	00B	3	SC310030	08-1	11
SC140020	00B	18	SC310030	08-2	11
SC140030	00B	17	SC310040	08-2	12
SC140040	00B	15	SC310050	08-1	15
SC140090	00B	5	SC310050	08-2	15
SC140120	00A-1	6	SC310061	08-1	13
SC140120	00A-1	8	SC310061	08-2	13
SC140120	00A-2	6	SC310070	08-1	19
SC140130	00A-1	5	SC310070	08-2	19
SC140130	00A-1	9	SC310080	08-2	6
SC140130	00A-2	5	SC310090	08-2	20
SC140140	00B	12	SC310100	08-1	16
SC140160	00A-1	13	SC310100	08-2	16
SC140160	00A-2	13	SC310110	08-1	6
SC140170	00A-1	14	SC310120	08-1	20
SC140170	00A-2	14	SC310130	08-1	6
SC140180	00A-1	10	SC310140	08-1	20
SC140180	00A-2	10	SC310150	08-1	12
SC160010	00A-1	16	SC330010	07	11
SC160010	00A-2	16	SC330020	07	22
SC160020	00A-1	17	SC330030	07	21
SC160020	00A-2	17	SC330040	07	10
SC160030	00A-1	18	SC330051	07	15
SC160030	00A-2	18	SC330060	07	16
SC160040	08-2	4	SC330080	07	8
SC210000	01A	15	SC330090	07	14
SC210010	00B	13	SC330100	07	5
SC210010	01A	16	SC330110	07	1
SC250010	08-2	22	SC330120	07	18
SC250030	10H	2	SC330130	01B	2
SC250040	10C	9	SC480000	10K	3

INDEX

LIST No.	SECTION No.	ITEM	LIST No.	SECTION No.	ITEM
SC480010	10C	19	SC480350	10H	7
SC480010	10D	15	SC480360	10H	9
SC480010	10E	15	SC480370	10H	1
SC480010	10F	16	SC480801	10I	2
SC480010	10J	2	SC480811	10I	4
SC480020	10C	14	SC480820	10I	3
SC480020	10D	10	SC480830	10I	5
SC480020	10E	10	SC481040	10G	1
SC480020	10F	11	SC481050	10G	2
SC480020	10J	3	SC481061	10G	3
SC480030	10J	4	SC481080	10G	4
SC480040	10C	11	SC481090	10G	7
SC480040	10D	7	SC481100	10G	9
SC480040	10E	7	SC481110	10G	8
SC480040	10F	8	SC481120	10G	5
SC480070	10K	8	SC481130	10G	6
SC480080	10C	24	SC481140	10H	1
SC480090	10F	19	SC481191	10I	4
SC480100	10D	18	SC481201	10I	2
SC480110	10E	18	SC481210	10G	8
SC480120	10C	21	SC481220	10G	7
SC480130	10F	18	SC481230	10G	1
SC480140	10D	17	SC481241	10I	4
SC480150	10E	17	SC481280	10H	7
SC480160	10J	5	SC481290	10I	3
SC480170	10K	10	SC481300	10G	8
SC480181	10K	7	SC481310	10G	1
SC480190	10J	7	SC481330	10H	1
SC480201	10J	10	SC481370	08-1	1
SC480210	10C	8	SC481401	10I	2
SC480210	10D	4	SC481710	10K	16
SC480210	10E	4	SC481720	10J	19
SC480210	10F	5	SC481730	10I	1
SC480220	10H	4	SC481750	10I	1
SC480230	10J	11	SC481770	10I	1
SC480241	10J	17	SC510000	12-1	9
SC480260	10J	6	SC510000	12-2	15
SC480290	10C	26	SC510020	11B-2	3
SC480300	10J	12	SC510030	11B-2	2
SC480310	10J	16	SC510040	11B-2	1
SC480330	10C	4	SC510180	11B-1	1
SC480330	10D	1	SC710010	12-2	10
SC480330	10E	1	SC710030	12-2	12
SC480330	10F	1	SC730030	10A	5
SC480340	10H	5	SC730041	10A	4

## INDEX

LIST No.	SECTION No.	ITEM	LIST No.	SECTION No.	ITEM
SC730092	10B	2	SG240000	04E	2
SC730102	10B	7	SG240010	06-1	24
SC730111	10B	8	SG240020	06-1	10
SC730340	10A	6	SG240040	06-1	2
SC730360	10A	6	SG240050	06-1	8
SF250100	04E	3	SG240060	06-1	9
SF250120	04E	3	SG240070	06-1	12
SF250140	04E	5	SG240080	06-1	19
SF250150	04E	4	SG240100	06-1	20
SG210000	03	31	SG240110	06-1	11
SG230000	04B	17	SG240120	06-1	23
SG230031	04B	16	SG240130	06-1	1
SG230040	04A-1	20	SG250000	04E	1
SG230050	04A-1	26	SG250010	04D	11
SG230060	04A-1	27	SG250020	04D	3
SG230070	04A-1	22	SG250050	04D	9
SG230091	04A-1	29	SG250060	04D	10
SG230100	03	12	SG250120	04D	6
SG230110	04A-1	28	SG250130	04D	2
SG230120	04A-1	31	SG250140	04D	2
SG230140	04A-1	24	SG250150	04E	3
SG230150	04A-1	23	SG250160	04E	3
SG230160	04D	5	SG250170	04E	3
SG230170	04B	1	SG250180	04E	3
SG230180	04B	13	SG250210	04D	1
SG230190	04B	15	SG250220	04D	1
SG230200	04A-1	25	SG270000	04E	13
SG230200	04A-2	20	SG270010	04E	10
SG230210	04C	11	SG270030	02C	15
SG230220	04A-1	8	SG270040	02C	13
SG230220	04A-2	7	SG270050	04C	14
SG230230	04A-1	16	SG270060	04C	16
SG230230	04A-2	21	SG270070	04C	17
SG230260	05	2	SG270080	02C	4
SG230270	04C	10	SG270090	02C	6
SG230280	04D	8	SG270100	02C	14
SG230290	04D	7	SG270110	04C	20
SG230300	04B	29	SG270120	04C	19
SG230310	05	3	SG270130	04E	12
SG230320	04A-1	30	SG270140	04E	11
SG230320	04A-2	29	SG270150	04E	16
SG230330	04A-1	1	SG270160	04E	17
SG230340	03	25	SG270170	04E	9
SG230350	03	16	SG270180	04E	15
SG230360	04A-1	26	SG270190	04C	13

## INDEX

LIST No.	SECTION No.	ITEM	LIST No.	SECTION No.	ITEM
SH710010	12-1	7	SJ250080	08-2	22
SJ120000	00B	2	SJ250090	10C	2
SJ120010	00B	2	SJ270010	02A	1
SJ120030	00B	2	SJ270020	02A	4
SJ130021	08-1	21	SJ270030	02A	7
SJ130021	08-2	21	SJ270040	02A	5
SJ130030	08-1	21	SJ270070	02B	11
SJ130030	08-2	21	SJ270080	02B	12
SJ130040	08-1	21	SJ270090	02B	16
SJ130040	08-2	21	SJ320010	01A	12
SJ130070	08-1	21	SJ330020	07	9
SJ130070	08-2	21	SJ330040	07	22
SJ130080	08-1	21	SJ480000	10C	13
SJ130080	08-2	21	SJ480000	10D	9
SJ140000	00B	14	SJ480000	10E	9
SJ140010	00B	11	SJ480000	10F	10
SJ140020	00B	10	SJ480000	10K	4
SJ140040	00A-1	3	SJ480010	10C	7
SJ140040	00A-2	3	SJ480010	10D	3
SJ140050	00A-1	1	SJ480010	10F	4
SJ140050	00A-2	1	SJ480020	10C	25
SJ140060	00A-1	2	SJ480020	10D	19
SJ140060	00A-2	2	SJ480020	10E	19
SJ140100	00B	19	SJ480020	10F	20
SJ140110	00B	9	SJ480030	10K	9
SJ140120	00A-2	8	SJ480040	10K	11
SJ140130	00A-2	9	SJ480050	10J	15
SJ160030	08-1	4	SJ480070	10E	3
SJ160040	00A-1	19	SJ480080	10C	16
SJ160460	00A-1	4	SJ480080	10D	12
SJ160530	00A-1	4	SJ480080	10E	12
SJ160650	00A-2	4	SJ480080	10F	13
SJ210040	02A	18	SJ510000	11B-1	6
SJ210080	01A	18	SJ510000	11B-2	8
SJ210090	01A	17	SJ710001	12-2	1
SJ210120	01A	10	SJ710050	12-2	13
SJ210150	01A	17	SJ710090	12-2	13
SJ220010	01A	6	SK710000	12-1	6
SJ240010	06-2	21	SL230001	04A-2	16
SJ240030	06-2	21	SL230011	04A-2	16
SJ250041	08-1	18	SL230020	04A-2	17
SJ250041	08-2	18	SL230031	04A-2	19
SJ250060	02B	14	SL230040	04A-2	25
SJ250060	10C	1	SL230050	04A-2	28
SJ250070	10K	12	SL230060	04A-2	30

I N D E X

LIST No.	SECTION No.	ITEM	LIST No.	SECTION No.	ITEM
SL230080	04A-2	27			
SL230090	04A-2	31			
SL250000	04E	1			
SL250010	04E	3			
SL250020	04E	3			
SL270000	04E	9			
SL270010	04E	10			
SL270020	04E	17			
SL270030	04E	16			
SL270070	04A-2	15			